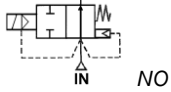


Media: air – water – gas – light oil
 Pressure range: 0.5 to 15 Bar max
 Media temperature: -40°C to +160°C Max
 Ambient temperature: -40°C to +60°C
 Media viscosity: 50 centistokes
 Mounting: coil upright
 Opening Closing Time: 50 mSec Max



2/2 Stainless

3/8 – 2

NORMALLY OPEN

2 WAY SERVO ASSISTED

0.5 – 15 Bar

TYPE NOSPU225®



PRESSURE

Ø Port BSP	Ø Orifice (mm)	Flow Kv Ltr/ min	Pressure Rating (Bar) ΔP		Max Working	Seals	Max Media Temp. °C	Part Number
			Min	Max				
3/8	13	40.0	0.5	10	15	NBR	80	NOSPU22503AN + voltage
						FKM	130	NOSPU22503AV + voltage
						EPDM	160	NOSPU22503AE + voltage
1/2	13	40.0	0.5	10	15	NBR	80	NOSPU22504AN + voltage
						FKM	130	NOSPU22504AV + voltage
						EPDM	160	NOSPU22504AE + voltage
3/4	25	165.0	0.5	10	15	NBR	80	NOSPU22506AN + voltage
						FKM	130	NOSPU22506AV + voltage
						EPDM	160	NOSPU22506AE + voltage
1	25	165.0	0.5	10	15	NBR	80	NOSPU22508AN + voltage
						FKM	130	NOSPU22508AV + voltage
						EPDM	160	NOSPU22508AE + voltage
1 1/4	40	450	0.5	10	15	NBR	80	NOSPU22512AN + voltage
						FKM	130	NOSPU22512AV + voltage
						EPDM	160	NOSPU22512AE + voltage
1 1/2	40	450	0.5	10	15	NBR	80	NOSPU22514AN + voltage
						FKM	130	NOSPU22514AV + voltage
						EPDM	160	NOSPU22514AE + voltage
2	50	580	0.5	10	15	NBR	80	NOSPU22520AN + voltage
						FKM	130	NOSPU22520AV + voltage
						EPDM	160	NOSPU22520AE + voltage

OPTIONS

IP65 Coil & Connector PG9 – DIN 43650 A
 ATEX 22003EX Coil: ATEX EExmII T4 II 2G & 2D IP65 T130°C
 NPT Thread
 Normally Open for RO / Pure/ Demin water (use 0543-83.6-00 with 22005 18.5 Watt DC Coil c/w DIN2R rectified connector for AC)

ELECTRICAL DATA

	Voltage (-10% + 10%) Continuous duty 100%	Coil	Power Consumption		Insulation class	Enclosure	Electrical connections
			Inrush	Holding			
~	12 - 24 - 48 - 110 - 240 - 380 (50 or 60 Hz)	22003	23VA	17VA	H 180°C	IP 65 with connector	3 spades DIN 43650 DIN 40050 VDE 0110
=	12 - 24 - 48 (DC)		15 Watts				

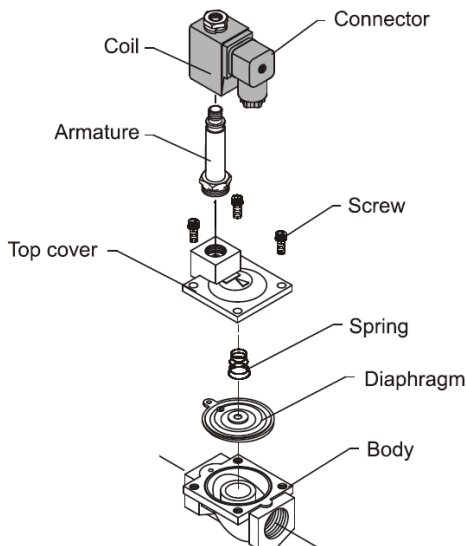
CONSTRUCTION

Body: 316 Stainless Steel (CF8M) ATEX Certified body
 Tube and internal parts: 304 + 430F Stainless steel
 Seals and gaskets: FKM (Optional NBR & EPDM & HNBR)
 Moulded coil: Duroplast / Thermo set resin

REPAIR KIT

Diaphragm seal	225 + port size code (03-20)+ material
Coil	22003 + Voltage
Complete plunger + O' rings (Normally Open)	225320VNO

OVERALL DIMENSIONS



Model	NOSPU225 03 & 4A	NOSPU225 06A & 08A	NOSPU225 12A & 14A	NOSPU225 20A
Port	3/8 + 1/2	3/4 + 1	1 1/4	2
A	66.5	96	131.5	160
B	106.5	126	145.5	160
C	48	75	101	118
Kg	0.74Kg	1.565Kg	2.56Kg	3.44Kg

