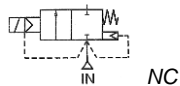


Media: air – water – gas – light oil  
 Pressure range: 0.5 to 15 bar max  
 Media temperature: -40°C to +160°C Max  
 Ambient temperature: -40°C to +60°C  
 Media viscosity: 50 centistokes max  
 Mounting: coil upright  
 Opening Closing Time: 50 mSec Max



# 2/2 Stainless

## 3/8 – 2

### NORMALLY CLOSED

### 2 WAY SERVO ASSISTED

### 0.5 – 15 Bar

## TYPE SPU225®



#### PRESSURE

| Ø Port BSP | Ø Orifice (mm) | Flow Kv Ltr/ min | Pressure Rating (Bar) ΔP |     | Max Working | Seals              | Max Media Temp. °C | Part Number  |
|------------|----------------|------------------|--------------------------|-----|-------------|--------------------|--------------------|--|
|            |                |                  | Min                      | Max |             |                    |                    |  |
| 3/8        | 13             | 40.0             | 0.5                      | 10  | 15          | NBR<br>FKM<br>EPDM | 80<br>130<br>160   | SPU22503N + voltage<br>SPU22503V + voltage<br>SPU22503E + voltage    |
| 1/2        | 13             | 40.0             | 0.5                      | 10  | 15          | NBR<br>FKM<br>EPDM | 80<br>130<br>160   | SPU22504AN + voltage<br>SPU22504AV + voltage<br>SPU22504AE + voltage |
| 3/4        | 25             | 165.0            | 0.5                      | 10  | 15          | NBR<br>FKM<br>EPDM | 80<br>130<br>160   | SPU22506AN + voltage<br>SPU22506AV + voltage<br>SPU22506AE + voltage |
| 1          | 25             | 165.0            | 0.5                      | 10  | 15          | NBR<br>FKM<br>EPDM | 80<br>130<br>160   | SPU22508AN + voltage<br>SPU22508AV + voltage<br>SPU22508AE + voltage |
| 1 1/4      | 38             | 367              | 0.5                      | 10  | 15          | NBR<br>FKM<br>EPDM | 80<br>130<br>160   | SPU22512AN + voltage<br>SPU22512AV + voltage<br>SPU22512AE + voltage |
| 1 1/2      | 38             | 500              | 0.5                      | 10  | 15          | NBR<br>FKM<br>EPDM | 80<br>130<br>160   | SPU22514AN + voltage<br>SPU22514AV + voltage<br>SPU22514AE + voltage |
| 2          | 50             | 580              | 0.5                      | 10  | 15          | NBR<br>FKM<br>EPDM | 80<br>130<br>160   | SPU22520AN + voltage<br>SPU22520AV + voltage<br>SPU22520AE + voltage |

#### OPTIONS

IP65 Coil & Connector PG9 – DIN 43650 A  
 ATEX 22003EX Coil: ATEX EExmII T4 II 2G & 2D IP65 T130°C  
 Explosion Proof Enclosure: EExdIICT6 ATEX II 2 G/D IP65 (Custom made)  
 NPT Thread  
 Normally Closed with Silver Shading Ring (D014DVHA)  
 HNBR seals same price as NBR or EPDM seal.

#### ELECTRICAL DATA

| Voltage (-10% + 10%)<br>Continuous duty 100% | Coil  | Power Consumption |         | Insulation class | Enclosure                 | Electrical connections                         |
|--|-------|-------------------|---------|------------------|---------------------------|--|
|  |       | Inrush            | Holding |                  |                           |  |
| ~ 12-24-48-110-220- 240-380 (50/60 Hz)       | 22003 | 23VA              | 17VA    | H 180°C          | IP65<br>with<br>connector | 3 spades<br>DIN 43650<br>DIN 40050<br>VDE 0110 |
| = 12-24-48-110-220 (DC)                      |       | 15 Watts          |         |                  |                           |  |

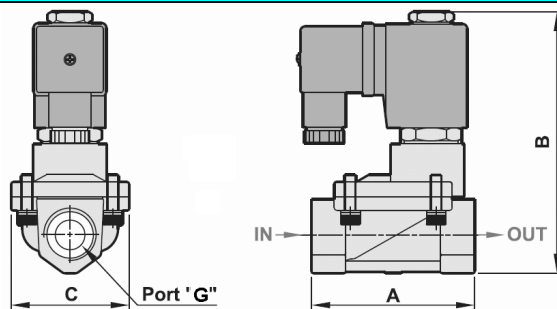
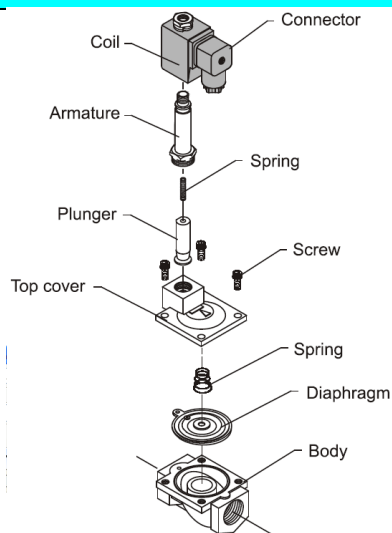
#### CONSTRUCTION

Body: 316 Stainless Steel (CF8M) ATEX Certified  
 Tube and internal parts: 304 + 430F Stainless steel  
 Seals and gaskets: FKM (Optional NBR, EPDM & HNBR)  
 Moulded coil: Duroplast / Thermo set resin

#### REPAIR KIT

|   |                                    |
|---|------------------------------------|
| Diaphragm seal                                | 225 + size code (03-20) + material |
| Coil  | 22003 + Voltage                    |
| Complete plunger + O' rings (Normally Closed) | 225320VNC + seal material          |

#### OVERALL DIMENSIONS



| Model | SPU225 03 & 4A | SPU225 06A & 08A | SPU225 12A & 14A | SPU225 20A |
|-------|----------------|------------------|------------------|------------|
| Port  | 3/8 + 1/2      | 3/4 + 1          | 1 1/4            | 2          |
| A     | 66.5           | 96               | 131.5            | 160        |
| B     | 106.5          | 126              | 145.5            | 160        |
| C     | 48             | 75               | 101              | 118        |
| Kg    | 0.74Kg         | 1.565Kg          | 2.56Kg           | 3.44Kg     |