

Media: air – Inert Gas
 Pressure range: 0 to 8 Bar max
 External pilot: 2 to 8 Bar
 Media temperature: 80°C max
 Ambient temp: -10°C to +80°C max
 Mounting: any position
 Seals: NBR
 Opening & Closing: 50mSec Max
 Weight: 305g & 390g
 1/4 Exhaust

Namur Mount

1/4
 NORMALLY CLOSED
 5/2 S/RETURN + D/ACTING
 0 – 8 Bar
 TYPE SY520



5/2 Way Spring Return SY520S Series

Ø Port BSP	Ø Orifice mm	Pressure Rating (Bar) ΔP		Max Work	Part Number	
		Min	Max			
1/4	6.7	0	8	10	SY52002S	

5/2 Way Double Acting SY520D Series

Ø Port BSP	Ø Orifice mm	Pressure Rating (Bar) ΔP		Max Work	Part Number	
		Min	Max			
1/4	6.7	0	8	10	SY52002D	

OPTIONS

NPT Thread

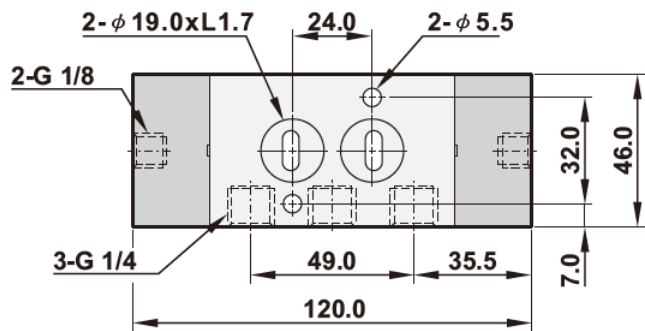
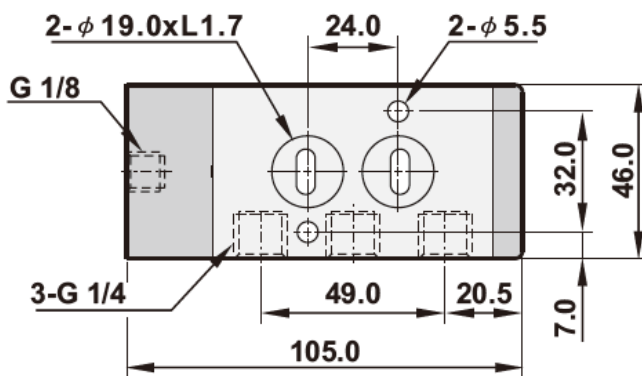
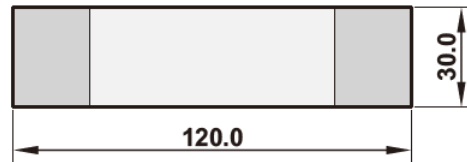
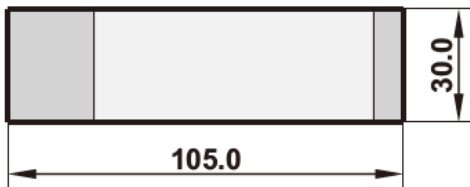
CONSTRUCTION

Body: Anodised Aluminium Exhaust 1/4 BSP
 Seals and gaskets: NBR

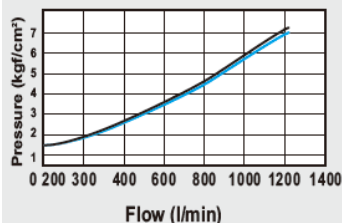
OVERALL DIMENSIONS

SY520 02S

SY520 02D



Model: SY520-02S



Model: SY520-02D

