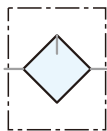


Symbol



Lubricator

Features

- * Lubricator oil can be replenished without stopping air supply.
- * Oil spray in mist ensures good lubrication for machines.



How to order

NUL

Lubricator

02

Port size

02	1/4"
03	3/8"
04	1/2"

N

Thread

Blank	G
N	NPT
R	Rc

A

Bowl

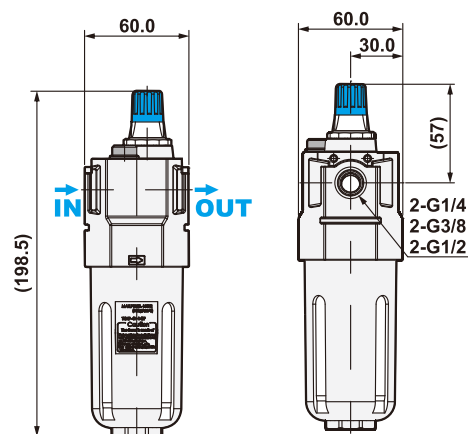
Blank	Standard bowl
A	Anti-acid & alkali bowl
AL	Aluminum bowl (1/4"~1/2")

Specifications

Model	NUL-02	NUL-03	NUL-04
Port size	1/4"	3/8"	1/2"
Fluid	Compressed air		
Regulator construction	Piston		
Body material	Aluminum die-cast		
Bowl material	Polycarbonate (Standard), Anti-acid & alkali bowl (Option), Aluminum bowl (Option)		
Operating pressure range	0.5 ~ 10 kgf/cm ²		
Proof pressure (Standard bowl)	15 kgf/cm ²		
Max. flow rate l/min (ANR)	2080	2100	2600
Ambient temperature	-10°C ~ 60°C		
Lubricator oil (Recommended)	ISO-VG32		
Lubricator bowl capacity	125cc		
Net weight	550g (W/I Aluminum bowl, 720g)		
Accessories	Mounting bracket , Screw x 4		

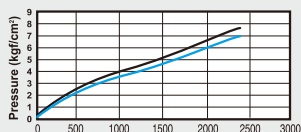
Dimensions

NUL-02, 03, 04

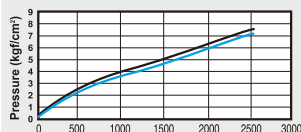


Flow chart

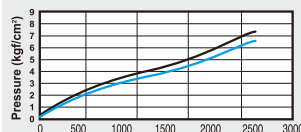
Model: NUL-02



Model: NUL-03



Model: NUL-04



Note:

- X axis: Flow (l/min)
- Y axis: Pressure (kgf/cm²)
- Blue line (P0)= Outlet pressure
- Black line (P1)= Inlet pressure
- P1-P0= Pressure range