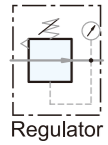


## Symbol



## Features

1. For high pressure use, corrosion and chemical resistance.
2. Good performance for outdoor facility.
3. Suitable for semi-conductor industry.
4. Accurate and sensitive pressure setting.
5. Strict quality control.



## How to order

USR	B	02	N
Stainless Steel Regulator	Pressure	Port size	Thread
	Blank : 0.5~30kgf/cm <sup>2</sup> (for 1/4", 3/8", 1/2")	02 : 1/4"	Blank : G
	0.5~28kgf/cm <sup>2</sup> (for 3/4", 1")	03 : 3/8"	N : NPT
	B : 0.5~12kgf/cm <sup>2</sup>	04 : 1/2"	R : Rc
		06 : 3/4"	
		08 : 1"	

Please contact our sales for non-relieving type.

\*For non-relieving type, the secondary pressure is not allowed to be exhausted when it is higher than setting pressure.

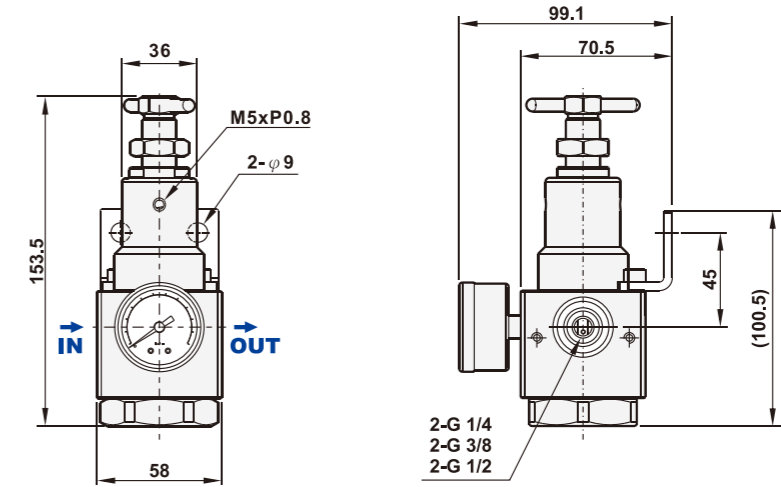
\* Spring: USRB = SUS303  
USR = Alloy steel

## Specifications

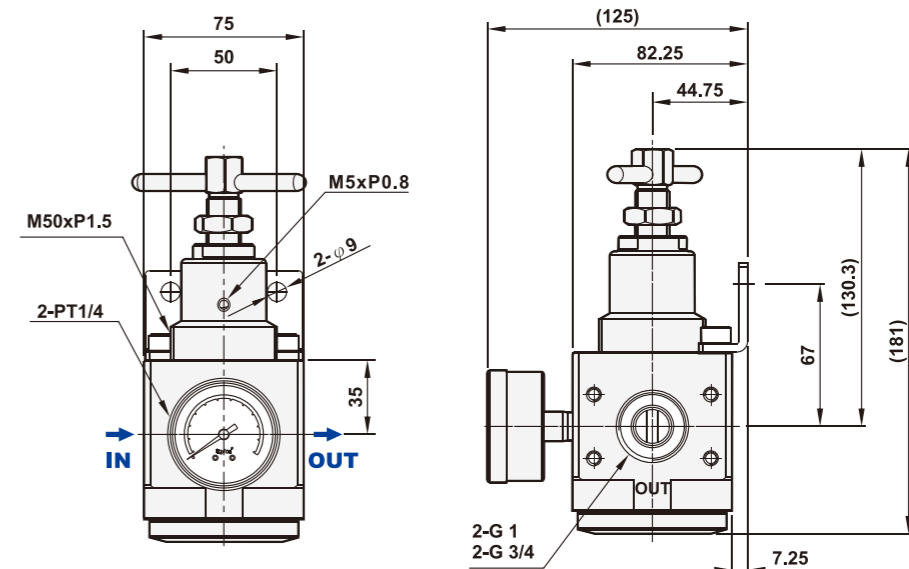
Model	USR-02	USR-03	USR-04	USR-06	USR-08
Port size	1/4"	3/8"	1/2"	3/4"	1"
Fluid	Compressed air				
Regulator construction	Piston				
Body material	Stainless steel SUS316				
Pressure gauge material	Case: Stainless steel SUS304, Thread: Stainless steel SUS316				
Operating pressure range	USRB: 0.5 ~ 12 kgf/cm <sup>2</sup> USR: 0.5 ~ 30 kgf/cm <sup>2</sup>		USRB: 0.5 ~ 12 kgf/cm <sup>2</sup> USR: 0.5 ~ 28 kgf/cm <sup>2</sup>		
Max. inlet pressure	60 kgf/cm <sup>2</sup>				
Max. flow rate l/min (ANR)	1950	2250	2520	B9000/18000	B9400/22000
Ambient temperature	-10°C ~ 70°C				
Net weight	1400g			3400g	
Accessories	Pressure gauge (0~20kg), Plug, Mounting bracket set				
Option	Pressure gauge (0~10kg), Pressure gauge (0~30kg)				

## Dimensions

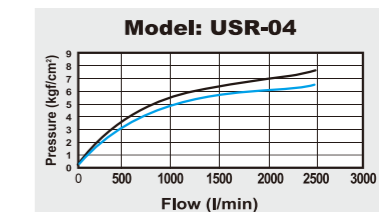
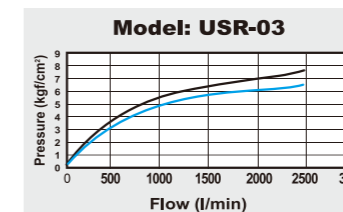
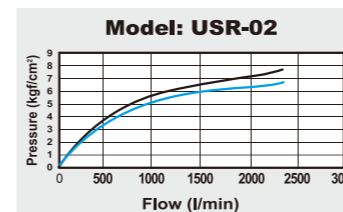
### USR-02, 03, 04



### USR-06, 08



## Flow chart



**Note:** X axis: Flow (l/min), Y axis: Pressure (kgf/cm<sup>2</sup>), Blue line (P0) = Outlet pressure, Black line (P1) = Inlet pressure, P1-P0= Pressure range