

Media: air – water – oil – aggressive  
 Pressure range: 0 to 16 Bar max  
 Ambient temperature: -20°C to +80°C  
 Media viscosity: 500 centistokes max  
 Mounting: any position  
 Compressed air supply: 5 - 8 Bar  
 ISO5211, DIN3337, VD+VDE3845  
 Namur + ¼ BSP(G)

# 2/2 Stainless

## 1/2 - 4"

### Single Acting / Spring Return

### Pneumatic Actuated Ball Valve

## 0 – 16 Bar

# TYPE AABV3SS-AR



#### PRESSURE

Ø Port BSP	Actuator	Pressure (Bar)		ISO5211 Mounting	Drive mm	Part Number
		Min	Max			
1/2	52AR	0	16	F03	11	AABV3SS-04AR
3/4	52AR	0	16	F03	11	AABV3SS-06AR
1	63AR	0	16	F05	14	AABV3SS-08AR
1 1/4	75AR	0	16	F05	14	AABV3SS-12AR
1 1/2	83AR	0	16	F05	17	AABV3SS-14AR
2	83AR	0	16	F05	17	AABV3SS-20AR
2 1/2	92AR	0	16	F05	17	AABV3SS-24AR
3	105AR	0	16	F07	22	AABV3SS-28AR
4	125AR	0	16	F07	22	AABV3SS-32AR

#### OPTIONS

NPT Thread  
 Namur solenoid valve (CY525S single acting)  
 Namur solenoid valve (CY525D double acting)  
 AABV-Switch Box IP67 open + closed position feed back

#### CONSTRUCTION

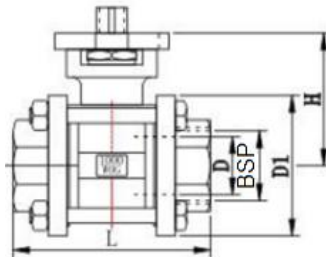
Ball valve: 3 piece 316 stainless steel body + ball with blowout proof stem, Seals and gaskets: PTFE  
 Actuator: Aluminium Alloy

#### Output Torque according to air supply pressure of 5 Bar

Torque / Actuator	52AR	63AR	75AR	83AR	92AR	105AR	125AR
Air Start 0° (NM)	11.5	22.8	28.8	46.7	66.2	102	146
Air End 90° (NM)	6.7	15.6	21.2	32.3	44.1	66.5	94
Spring Start 90° (NM)	12.4	20.9	29	46	68.7	98.4	157
Spring End 0° (NM)	8.5	13.7	21.1	31.6	46.7	63.3	105

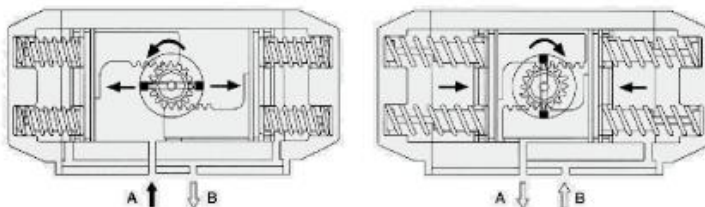
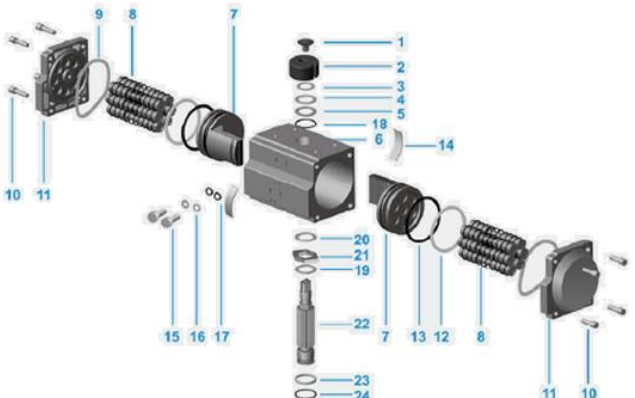
When sizing with other valves allow additional 30% spring end torque

#### OVERALL DIMENSIONS



Port	DN	L	D	H	D1	Kg
1/2	15	70	15	38	48	1.92
3/4	20	77	20	46	55	2.14
1	25	82	25	53	61	3.14
1 1/4	32	98	32	60	72	4.16
1 1/2	40	111	38	71	79	4.74
2	50	134	49	78	90	6.06
2 1/2	65	165	65	98	117	10.5
3	80	193	80	109	143	14.6
4	100	241	100	130	200	22.2

#### Spring Return Namur (fittings included)



No	Description	Qty	Material	Wearing Parts
1	Indicator Screw	1	PA66 + SS	
2	Indicator	1	POM	
3	Spring Clip	1	Circlip	
4	Washer	1	Stainless	
5	Outside Washer	1	PTFE	
6	Body	1	Aluminium Alloy Hard Anodised	
7	Piston	2	Cast Aluminium Hard Anodised	
8	Spring Assembly	TBA	60Si2Mn2 + PA66 Dip coated	
9	End cap O ring	2	NBR/HNBR/FKM	YES
10	Cap Screw	8	Stainless steel	
11	End Cap	2	Cast Aluminium Powder Coated	
12	Bearing piston	2	PTFE	
13	O Ring Piston	2	NBR/HNBR/FKM	YES
14	Guide piston	2	POM	
15	Adjusting bolt	2	Stainless steel	
16	Adjusting screw nut	2	Stainless steel	
17	O ring adjusting nut	2	NBR/HNBR/FKM	
18	O ring piston top	1	NBR/HNBR/FKM	YES
19	Bearing pinion top	1	PTFE	YES
20	Inside washer	1	PTFE	
21	Cam	1	Stainless steel	
22	Pinion	1	Alloy Steel Nickel Plated	
23	Bearing pinion bottom	1	PTFE	
24	O ring pinion bottom	1	NBR/HNBR/FKM	YES