

Media: air – water – gas - fluid
 Back pressure range: 0.02 - 0.2 Bar
 Media temperature: -15°C to +80°C max
 Ambient temperature: +80°C max
 Media viscosity: 40 centistokes max
 Mounting: any position

Pressure Sustaining Valve

1/2 – 2” or DN15 – DN50
 STAINLESS STEEL
 2 WAY DIRECT ACTING
 0.02 to 0.2 Bar
 TYPE RFMT + RFMF



PRESSURE

| Ø Port BSPT | Flow Cv | Adjustable Pressure Sustaining Range (Bar) | | Part Number | | |
|---------------------------|---------|--|---------|-------------------------|--|--|
| | | Minimum | Maximum | | | |
| 1/2 | 2.4 | 0.02 | 0.2 | RFMT15S + seal material | | |
| 3/4 | 9.0 | 0.02 | 0.2 | RFMT20S + seal material | | |
| 1 | 11.0 | 0.02 | 0.2 | RFMT25S + seal material | | |
| 1 1/2 | 21.0 | 0.02 | 0.2 | RFMT40S + seal material | | |
| 2 | 25.0 | 0.02 | 0.2 | RFMT50S + seal material | | |
| Ø Port PN16 Flange | | | | | | |
| 1/2 | 2.4 | 0.02 | 0.2 | RFMF15S + seal material | | |
| 3/4 | 9.0 | 0.02 | 0.2 | RFMF20S + seal material | | |
| 1 | 11.0 | 0.02 | 0.2 | RFMF25S + seal material | | |
| 1 1/2 | 21.0 | 0.02 | 0.2 | RFMF40S + seal material | | |
| 2 | 25.0 | 0.02 | 0.2 | RFMF50S + seal material | | |

OPTIONS

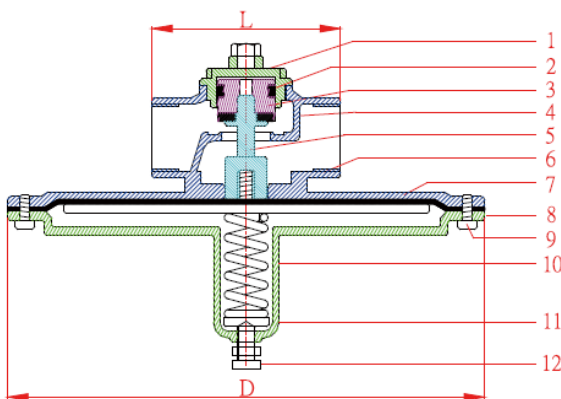
Pressure Gauge (316 Stainless steel)
 Other ANSI150Lb, JIS10K, JIS20K flange or NPT or BSPP (G) thread options
 Other custom made media, seal and pressure options available upon request

Included

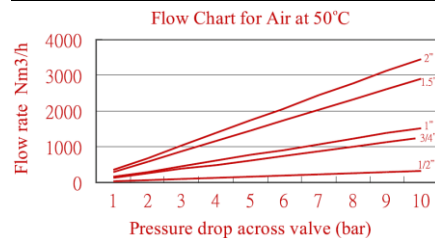
CONSTRUCTION

Body, Piston & shaft: 316 stainless steel
 Seals: NBR or FKM
 Spring: steel
 Fixing bolts and adjusting stem: 304 stainless steel
 Test Pressure: 16 Bar

OVERALL DIMENSIONS



| Part No: | Port | L mm | D |
|----------|-----------|------|---|
| RFMT15 | 1/2 BSP | 70 | * |
| RFMT20 | 3/4 BSP | 85 | * |
| RFMT25 | 1 BSP | 90 | * |
| RFMT40 | 1 1/2 BSP | 115 | * |
| RFMT50 | 2 BSP | 120 | * |



| No | Part | Material | No | Part | Material |
|----|-----------|---------------------|----|--------------|---------------------|
| 1 | Cover | Stainless steel 316 | 7 | Diaphragm | Nylon - EPDM |
| 2 | U Ring | NBR | 8 | Spring cover | Stainless steel 316 |
| 3 | Piston | Stainless steel 316 | 9 | Stem | Stainless steel 304 |
| 4 | Sealing | NBR | 10 | Spring | Spring steel |
| 5 | Shaft | Stainless steel 316 | 11 | Washer | Brass |
| 6 | Main body | Stainless steel 316 | 12 | Stem | Stainless steel 304 |