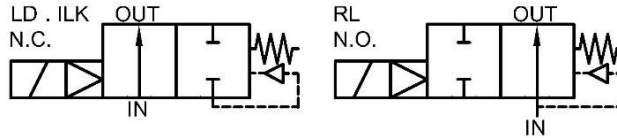




2/2 Large Diaphragm Solenoid valve

Opening time: 250~500ms Closing time: 500~1000ms



Power Consumption	COIL#	#5	#17	#3E
	AC (VA)	23.0	35.0	9.2
	Final Temp. °C	85.0	90.0	63.0
	DC (W)	18.5	35.0	10.0
	Final Temp. °C	95.0	90.0	80.0
Ambient Temp. : -15°C~50°C (No Freezing)				

SEAL Temp. °C		#5	#17	#3E
SEAL	N: NBR	-5~80		
	V: FKM	-5~145		

LD SPECIFICATIONS (N.C.) For Water, Air, LPG etc.

CODE (PIPE)	Orifice mm	Body Material	SEAL	COIL	WORKING PRESSURE 0.5~ bar				Cv
					#5		#3E		
					AC	DC	AC	DC	
65(2½")	80	Bronze	N	#5	10	7	5	3	82
80(3")					97				
100(4")	100	Iron	V	#3E	7	4	3	1	170

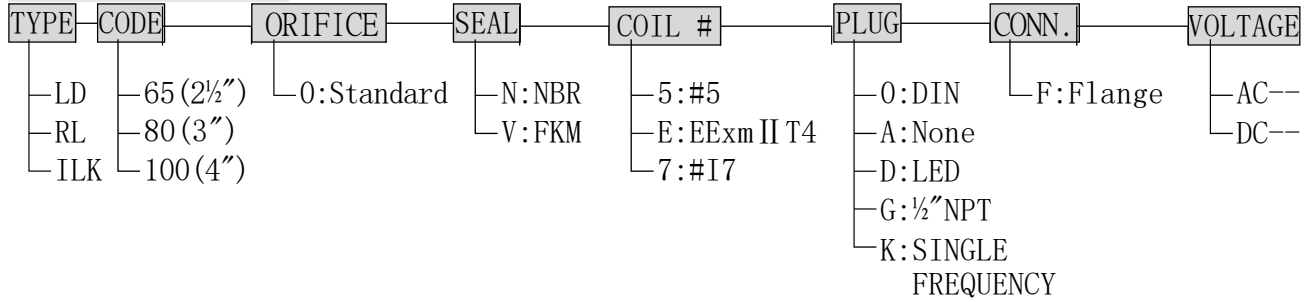
RL SPECIFICATIONS (N.O.) For Water, Air, LPG etc.

CODE (PIPE)	Orifice mm	Body Material	SEAL	COIL	WORKING PRESSURE 0.5~ bar				Cv
					#5		#3E		
					AC	DC	AC	DC	
65(2½")	80	Bronze	N	#5	7	5	5	3	82
80(3")					97				
100(4")	100	Iron	V	#3E	5	3	3	1	170

ILK SPECIFICATIONS (N.C.) For Water, Air, Gas, Vacuum etc.

CODE (PIPE)	Orifice mm	Body Material	SEAL	COIL	WORKING PRESSURE 0~ bar		Cv	Torr
					#17			
					AC	DC		
65(2½")	80	Bronze	N	#17	2		82	10
80(3")					97			
100(4")	100	Iron	V		1		170	

TYPE INDICATION



★EEExm II T4 COIL w/o LED PLUG

★AAA #I7 coil has no explosion-proof and no CE mark.

★ILK valve is with AAA #I7 coil, AC coil is with K plug.

EXAMPLES

Example 1: LD80-0-N-5-0-F DC24V

TYPE LD, 3" Flanged, Cast Bronze Body, NBR Seal, Nass #5 Coil, Standard Plug, DC24V.

Example 2: ILK100-0-V-K-0-F AC220V

TYPE ILK, 4" Flanged, Cast Iron Body, FKM Seal, AAA #I7 Coil, Single Frequency Plug, AC220V.

DIMENSIONS/WEIGHT

TYPE	DIMENSIONS: mm			NET WEIGHT kg
	L	W	H	
LD65/80	290	210	248	20
RL65/80			274	
ILK65/80			336	
LD100	340	270	303	35
RL100			329	36
ILK100			391	

DIMENSIONED DRAWING

