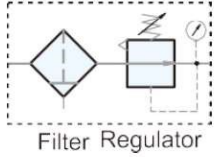


Symbol



Features

1. Remove water and particle effectively.
2. 40 μ m and 5 μ m filter elements are easily interchangeable and replaceable.
3. Accurate and easy pressure setting.



How to order

| UCFR | 02 | N | C | G | H | A |
|------------------|----------------------------------|-------------------------------|-------------------------------------------------------------------------------------------------|-----------------------------|--------------------------------------------------------------|---------------------------------------------------------------------------|
| Filter Regulator | Port size | Thread | Filtration | Gauge type | Drain | Bowl |
| | 02: 1/4" 03: 3/8" 04: 1/2" | Blank: G N : NPT R : Rc | PE Blank: 5 μ m C : 40 μ m Sintered brass S: 5 μ m T: 40 μ m | Blank: Square G : Circle | Blank: Semi-auto drain H : Manual drain D : Auto drain | Blank: Standard bowl A : Anti-acid & alkali bowl AL : Aluminum bowl |

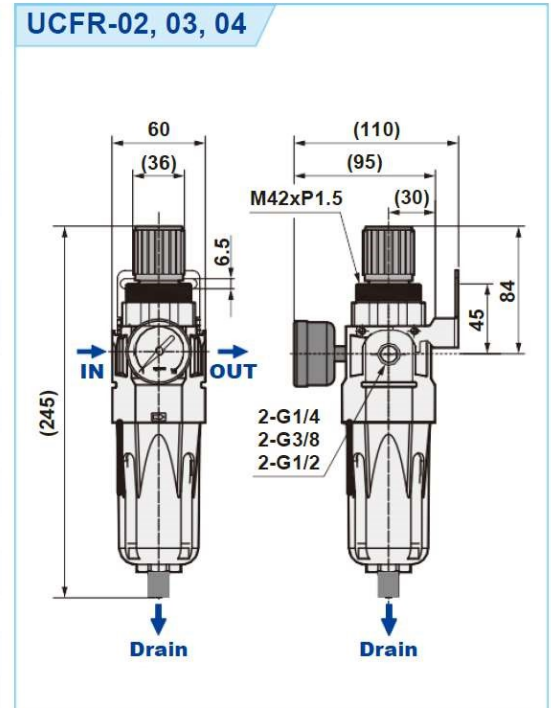
Please contact our sales for non-relieving type.

*For non-relieving type, the secondary pressure is not allowed to be exhausted when it is higher than setting pressure.

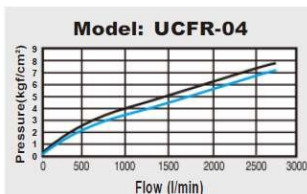
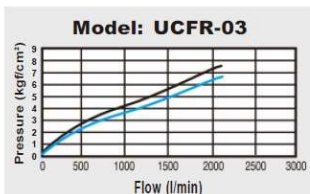
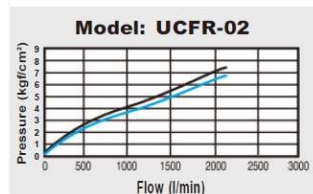
Specifications

| Model | UCFR-02 | UCFR-03 | UCFR-04 |
|----------------------------|-----------------------------------------------------------------------------------------------|---------|---------|
| Port size | 1/4" | 3/8" | 1/2" |
| Fluid | Compressed air | | |
| Regulator construction | Piston | | |
| Body material | Aluminum die-cast | | |
| Bowl material | Polycarbonate (Standard), Anti-acid & alkali bowl (Option), Aluminum bowl (Option) | | |
| Filtration | PE: 5 μ m (Standard), 40 μ m (Option); Sintered brass (Option): 5 μ m, 40 μ m | | |
| Operating pressure range | 0.5 ~ 9.9 kgf/cm ² | | |
| Max. inlet pressure | 15 kgf/cm ² | | |
| Max. flow rate l/min (ANR) | 2080 | 2100 | 2600 |
| Ambient temperature | -10 $^{\circ}$ C ~ 60 $^{\circ}$ C | | |
| Filter bowl capacity | 105cc | | |
| Standard drain | Semi-auto drain (Drains below 0.5kgf/cm ²) | | |
| Net weight | 810g (W/ Aluminum bowl, 1010g) | | |
| Accessories | Mounting bracket set, Plug | | |
| Option | Gauge plate, Mounting nut | | |

Dimensions



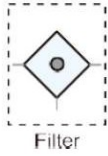
Flow chart



Note:

X axis: Flow (l/min)
Y axis: Pressure (kgf/cm²)
Blue line (P0) = Outlet pressure
Black line (P1) = Inlet pressure
P1-P0=Pressure range

Symbol



Features

1. UCMF series effectively removes oil, water, carbon and particle.
2. With 0.01µm glass fiber filter element.
3. High quality control ensures stable running and long life.
4. Convenient to see air quality from pressure indicator, prevent the filter element from clogging.



How to order

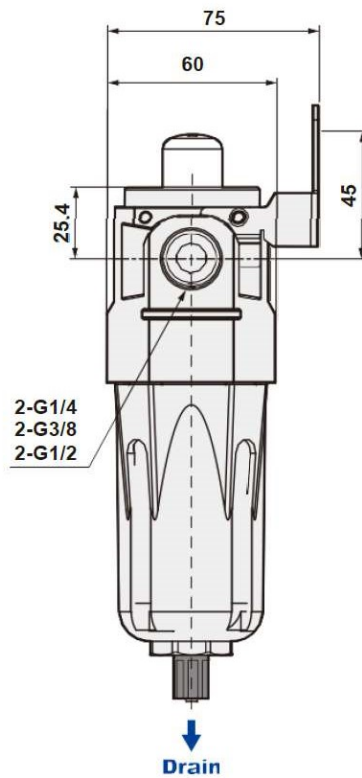
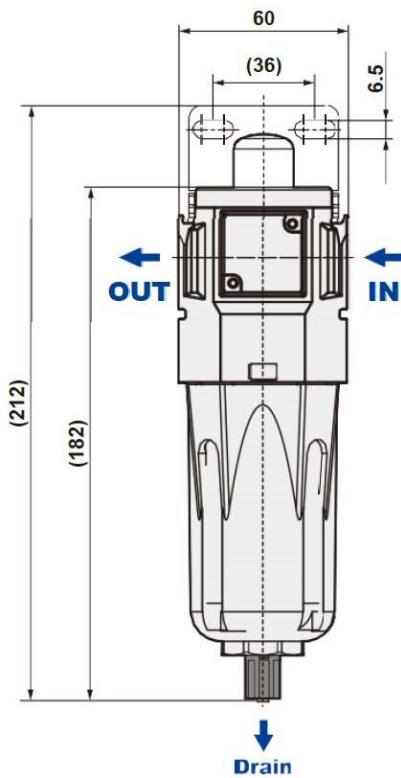
| UCMF – | 02 | N | K | H | B | A |
|-------------------|-----------|-----------|----------------------------------------------|-------------------------|---------------------|-----------------------------|
| Coalescing Filter | Port size | Thread | Filtration | Drain | Mounting | Bowl |
| | 02 : 1/4" | Blank : G | Blank : 0.01µm | Blank : Semi-auto drain | Blank : W/O bracket | Blank : Standard bowl |
| | 03 : 3/8" | N : NPT | L : 0.1µm | H : Manual drain | B : W/I bracket | A : Anti-acid & alkali bowl |
| | 04 : 1/2" | R : Rc | K : 0.01µm Activated charcoal filter element | | | AL : Aluminum bowl |

Specifications

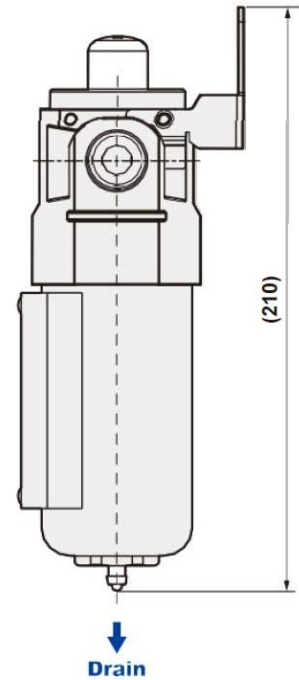
| Model | UCMF-02 | UCMF-03 | UCMF-04 |
|--------------------------------|------------------------------------------------------------------------------------|---------|---------|
| Port size | 1/4" | 3/8" | 1/2" |
| Fluid | Compressed air | | |
| Body material | Aluminum die-cast | | |
| Bowl material | Polycarbonate (Standard), Anti-acid & alkali bowl (Option), Aluminum bowl (Option) | | |
| Filtration | 0.01µm (Option 0.1 µm) | | |
| Operating pressure range | 0.5 ~ 10 Bar | | |
| Proof pressure (Standard bowl) | 15 Bar | | |
| Max. flow rate l/min (ANR) | 2050 | 2100 | 2150 |
| Ambient temperature | -10°C ~ 60°C | | |
| Filter bowl capacity | 65cc | | |
| Standard drain | Semi-auto drain (Drains below 0.5 Bar) | | |
| Net weight | 600g (Al bowl 900g) | | |
| Option | Mounting bracket set | | |

■ Dimensions

UCMF-02, 03, 04

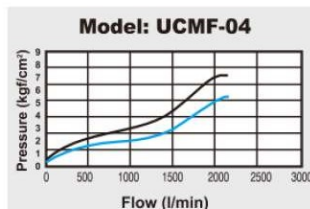
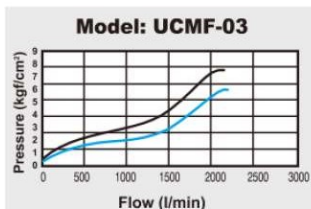
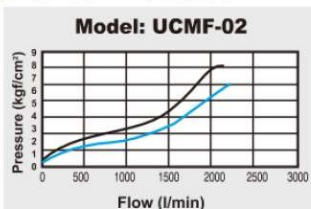


Aluminum bowl



www.solenoid-valve.world

■ Flow chart



Note:

X axis: Flow (l/min)
 Y axis: Pressure (kgf/cm²)
 Blue line (P0) = Outlet pressure
 Black line (P1) = Inlet pressure
 P1-P0= Pressure range