

Features

- * Medium size and large flow rate.
- * Lockable manual override for easy operation.
- * Aluminum body with surface anodizing treatment and strict quality control for long durability.
- * Coil nut is available, please refer to page 7-4.
- * Ex-proof coil is available, please refer to page 7-8.



How to order

PU520	X	02	N	S	2	LED	E1
PU series	Acting style	Port size	Thread	Solenoid	Voltage	LED	Coil type
520 5/2 way	Blank Standard	02 1/4"	Blank G	S Single solenoid	1 110VAC	Blank (W/O LED)	Blank DIN
530 5/3 way	5/3 way	03 3/8"	N NPT	D Double solenoid	2 220VAC		F Lead wire
	X Exhaust center	04 1/2"	R Rc	5/3 way valve is only available for double solenoid		9 24VDC	E1 EX-proof 22mm width
	Y Pressurized center	01 1/8" Option					E2 EX-proof 30mm width
							E3 EX-proof CSA standard

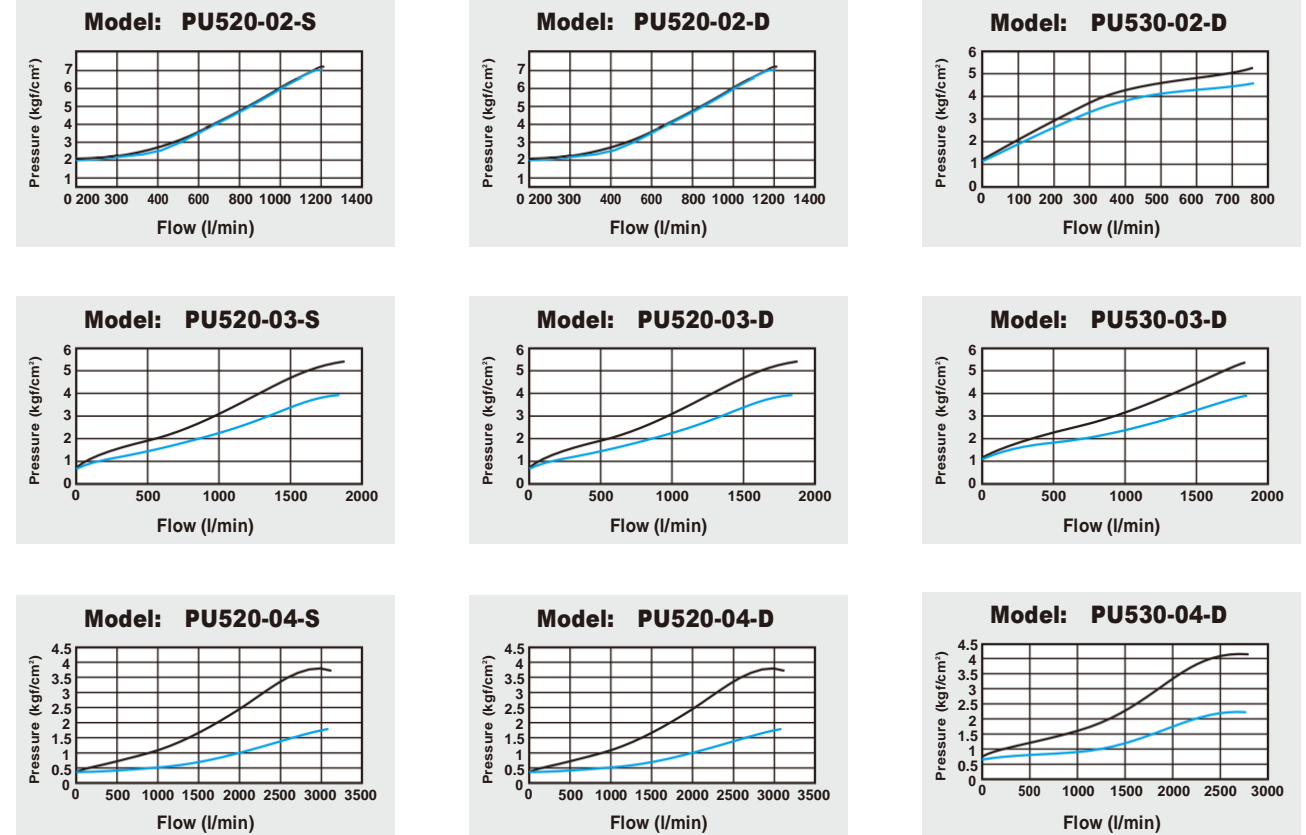
How to order manifold

MF520	02	N	02
PU valves series	Port size	Thread	Stations
	02 1/4"	Blank G	02 2 stations
	03 3/8"	N NPT	03 3 stations
	04 1/2"	R Rc	XX XX stations

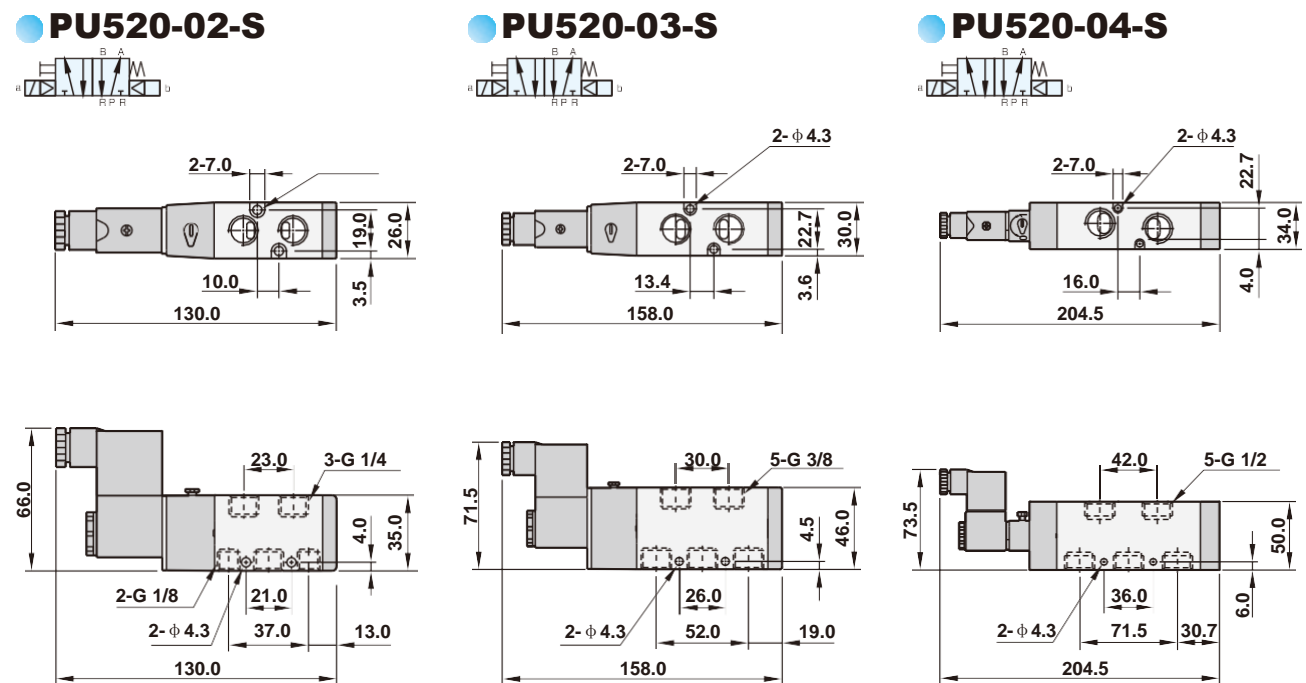
Specifications

Model	PU520-02-S(D)	PU530-02-D	PU520-03-S(D)	PU530-03-D	PU520-04-S(D)	PU530-04-D
Port size	1/4", 1/8" (Exhaust ports)		3/8"		1/2"	
Body material	Aluminum alloy					
Fluid	Compressed air					
Effective area	18mm ²	14mm ²	35mm ²	32mm ²	70mm ²	54mm ²
Acting	Internal pilot					
Operating pressure range	1.5~8 kgf/cm ²	2~8 kgf/cm ²	1.5~8 kgf/cm ²		2~8 kgf/cm ²	
Proof pressure	9.9 kgf/cm ²					
Ambient temperature	-10°C ~ 60°C					
Duty cycle	100% ED					
Coil type	DIN (Standard)					
Protection class	IP65 (DIN 40 050)					
Insulation class	F					
Voltage tolerance	±10%					
Standard voltage	220VAC, 110VAC, 24VDC (The other voltage is optional)					
Net weight	270g / 335g	475g	430g / 525g	715g	665g / 770g	1045g

Flow chart



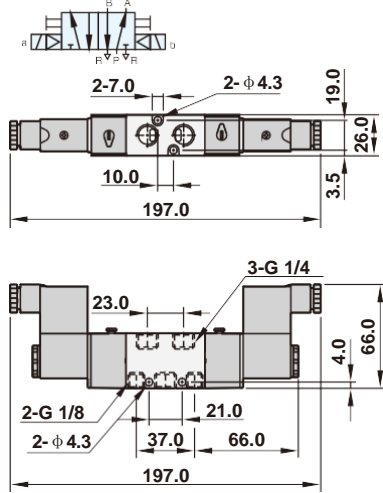
Dimensions



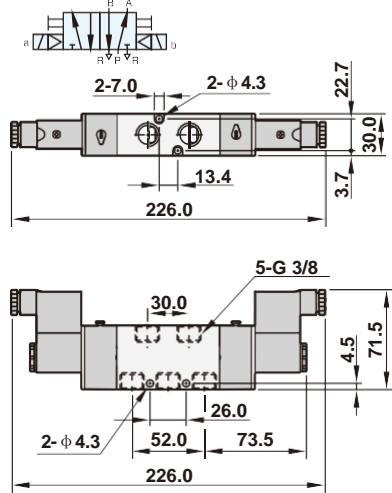
SOLENOID VALVES

Dimensions

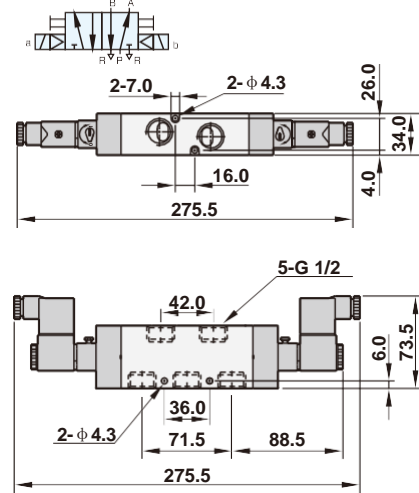
PU520-02-D



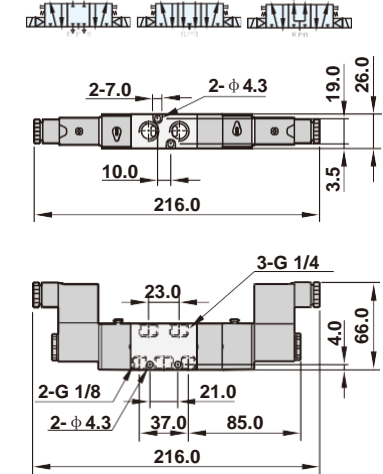
PU520-03-D



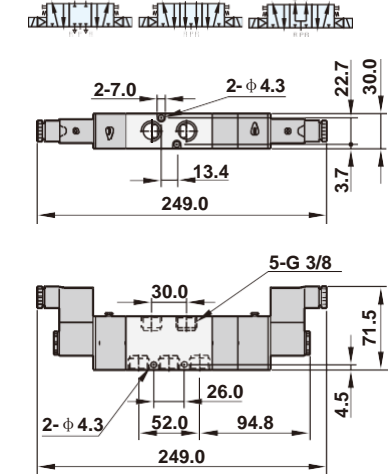
PU520-04-D



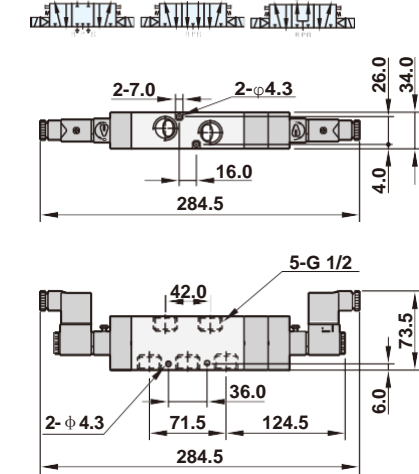
PU530(X)(Y)-02D



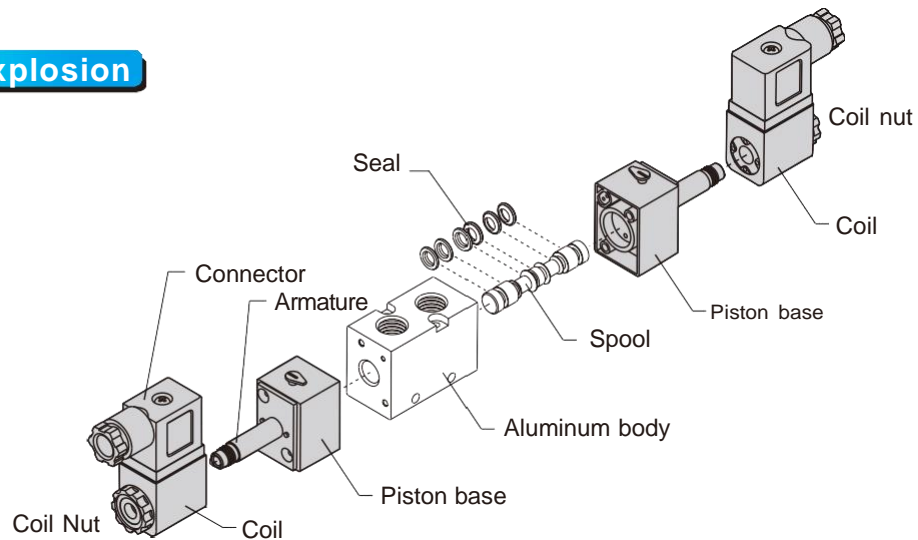
PU530(X)(Y)-03D



PU530(X)(Y)-04D

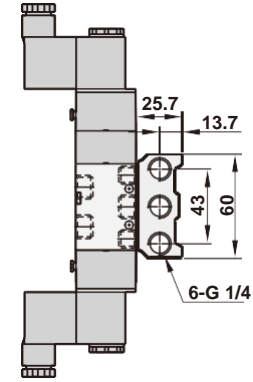
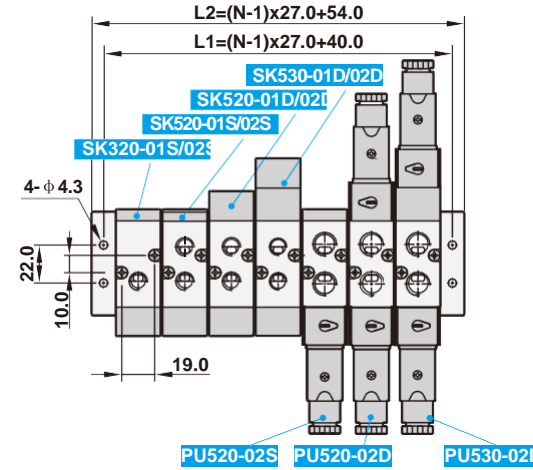


Explosion



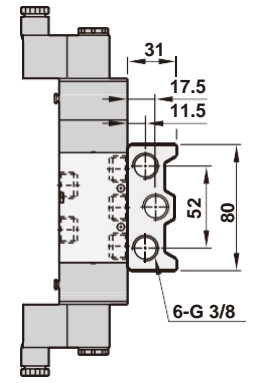
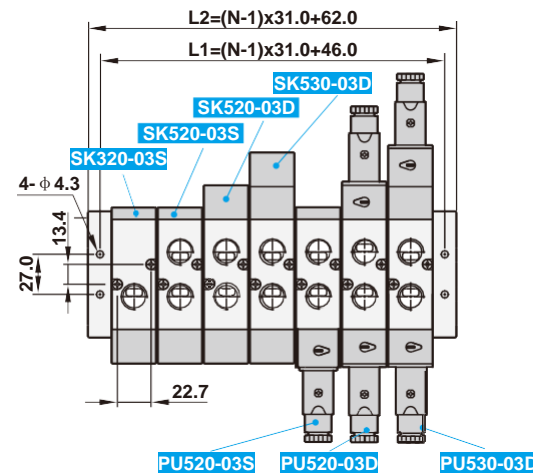
Dimensions

MF520-0206



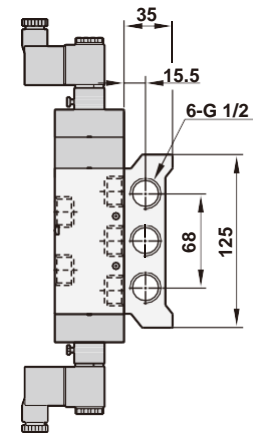
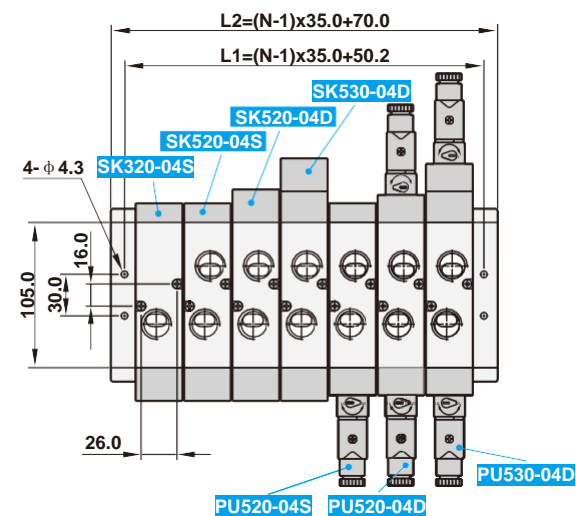
Number of station (N)	L1	L2
2	67.0	81.0
3	94.0	108.0
4	121.0	135.0
5	148.0	162.0
6	175.0	189.0
7	202.0	216.0
8	229.0	243.0
9	256.0	270.0
10	283.0	297.0

MF520-0306



Number of station (N)	L1	L2
2	77.0	93.0
3	108.0	124.0
4	139.0	155.0
5	170.0	186.0
6	201.0	217.0
7	232.0	248.0
8	263.0	279.0
9	294.0	310.0
10	325.0	341.0

MF520-0407



Number of station (N)	L1	L2
2	85.2	105.0
3	120.2	140.0
4	155.2	175.0
5	190.2	210.0
6	225.2	245.0
7	260.2	280.0
8	295.2	315.0
9	330.2	350.0
10	365.2	385.0

SOLENOID VALVES