

Media: air – water – gas – liquid
 Pressure range: 0 to 10 bar max
 Media temp: +2°C to +90°C max
 Ambient temperature: -15°C to +50°C
 Media viscosity: 500 centistokes max
 Duty cycle: 70,000
 Mounting: Any
 Seals: EPDM + PTFE or FKM + PTFE
 Mounting: ISO5211, F03, F05
 Open/Close Time: 10 Seconds

UPVC Ball Valve

1/2 – 2 True Union
 Power Open/Close
 3 Way T + L PORT
 0 – 10 Bar
TYPE ABV-P3T/L



PRESSURE

Ø Port BSP	Orifice mm	Pressure (Bar) ΔP		Function	Voltage	Part Number
		Min	Max			
1/2	15	0	10	3 Wire Control Connect Power Red & Negative Black Power to Green - Valve Moves Power off Green - Valve Returns 	12-24DC + 24AC	ABV04PE3T/9-E2-MO
					110-240vAC	ABV04PE3T/2-E2-MO
3/4	20	0	10		12-24DC + 24AC	ABV06PE3T/9-E2-MO
					110-240vAC	ABV06PE3T/2-E2-MO
1	25	0	10		12-24DC + 24AC	ABV08PE3T/9-E2-MO
					110-240vAC	ABV08PE3T/2-E2-MO
1 1/4	32	0	10		12-24DC + 24AC	ABV12PE3T/9-E2-MO
					110-240vAC	ABV12PE3T/2-E2-MO
1 1/2	40	0	10		12-24DC + 24AC	ABV14PE3T/9-E2-MO
					110-240vAC	ABV14PE3T/2-E2-MO
2	50	0	10	12-24DC + 24AC	ABV20PE3T/9-E2-MO	
				110-240vAC	ABV20PE3T/2-E2-MO	

OPTIONS

Visual Position Indicator, Manual Override, and E2 volt free fully open & closed position feedback switches
 T Port flow directions D standard, options A, B and E or L Port (P3EL), as below
 Seals PTFE/FKM (PV3T) or Metric solvent socket (PME3T)
 3 meter cable, Port NPT (PNE3T), Modulating (M9) or Failsafe Return (AR)

Included
 Included
 Included
 TBA

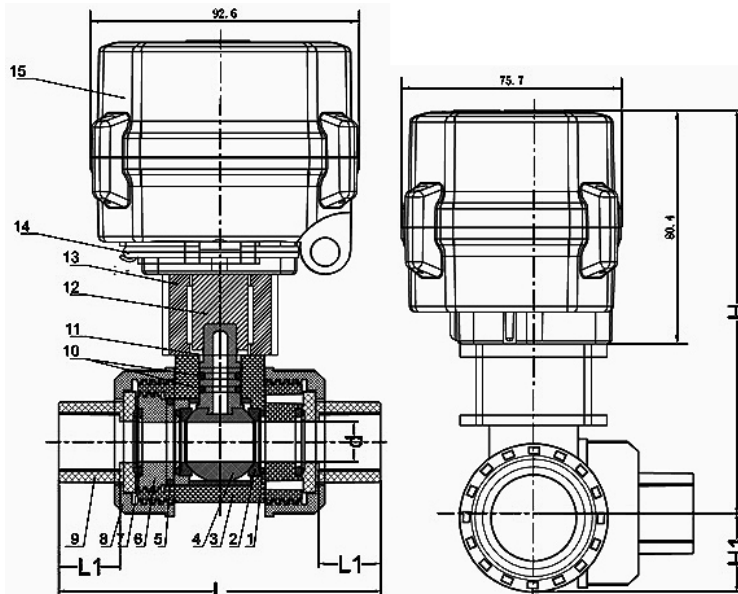
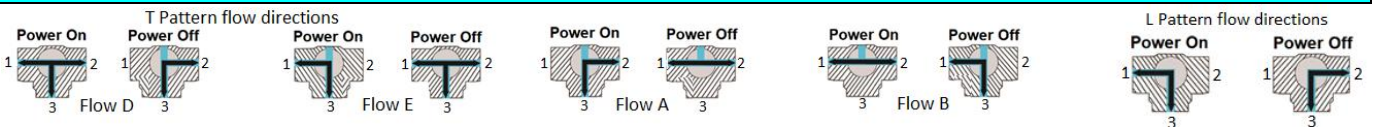
ELECTRICAL DATA

Continuous Duty 100% Open / Close 10 seconds	Open + Closed Position Switches (Volt Free – no voltage supplied)	Torque NM	Power			Enclosure	Connection
			Start	Move	Static		
12vDC Power Open/Close	36vDC 0.4 Amp Max	25.5	2.5A	2.1W	0.06W	IP67	Cable 0.5 meter
24vDC Power Open/Close		26	1.2A	2W	0.19W		
110-240vAC Power Open/Close	220v 0.4 Amp Max	16.3	90mA	2.3W	0.4W		

CONSTRUCTION

Valve Body: UPVC, Ball UPVC, Seals EPDM + PTFE
 ABV Actuator: ABS Engineering Plastic, Gears Metal

OVERALL DIMENSIONS



Port	d	L	L1	H	H1	Kg
1/2	14	137	22	133.4	30	
3/4	22	172	24.5	145.4	38.5	
1	25	200	28	148.4	46	
1 1/4	25	208	32	148.4	46	
1 1/2	38	240	35	172.4	65	
2	38	246	38	172.4	65	

No	Name	Material
1	O Ring	EPDM / FKM
2	Sealing	PTFE
3	Valve body	UPVC
4	Ball	UPVC
5	O Ring	EPDM / FKM
6	Bonnet	UPVC
7	O Ring	EPDM / FKM
8	Gland	UPVC
9	Socket	UPVC
10	O Ring	EPDM / FKM
11	Stem	UPVC
12	Coupling	304 Stainless
13	Mounting bracket	PA
14	Allen Key (Overdrive)	304 Stainless
15	Actuator	PPO