

Media: air – water – gas – liquid  
 Pressure range: 0 to 10 bar max  
 Media temp: +2°C to +90°C max  
 Ambient temperature: -15°C to +50°C  
 Media viscosity: 500 centistokes max  
 Duty cycle: 70,000  
 Mounting: Any  
 Seals: EPDM + PTFE  
 Mounting: ISO5211, F03, F05  
 Open/Close Time: 10 Seconds

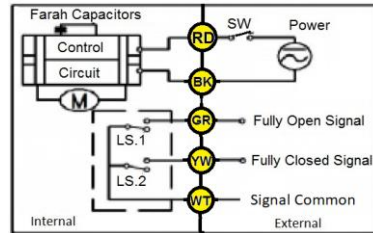
# UPVC Ball Valve

1/2 – 2 True Union  
 Failsafe Return  
 3 WAY T +L PORT  
 0 – 10 Bar  
**TYPE ABVP3/AR**



## PRESSURE

Ø Port BSP	Orifice mm	Pressure (Bar) ΔP		Function	Voltage	Part Number
		Min	Max			
1/2	15	0	10	<b>Failsafe Return</b>  Power ON valve Moves Power OFF valve Returns  <i>Failsafe requires 30 seconds Power On to recharge the Farah capacitors.</i>	12-24DC + 24AC	ABV04PE3T/9AR-E2-MO
					110-240vAC	ABV04PE3T/2AR-E2-MO
3/4	20	0	10		12-24DC + 24AC	ABV06PE3T/9AR-E2-MO
					110-240vAC	ABV06PE3T/2AR-E2-MO
1	25	0	10		12-24DC + 24AC	ABV08PE3T/9AR-E2-MO
					110-240vAC	ABV08PE3T/2AR-E2-MO
1 1/4	32	0	10		12-24DC + 24AC	ABV12PE3T/9AR-E2-MO
					110-240vAC	ABV12PE3T/2AR-E2-MO
1 1/2	40	0	10		12-24DC + 24AC	ABV14PE3T/9AR-E2-MO
					110-240vAC	ABV14PE3T/2AR-E2-MO
2	50	0	10	12-24DC + 24AC	ABV20PE3T/9AR-E2-MO	
				110-240vAC	ABV20PE3T/2AR-E2-MO	



Position Feedback: Green Open, Yellow Closed, White common

## OPTIONS

Visual Position Indicator, Manual Override, and E2 volt free fully open & closed position feedback switches  
 T Port flow direction D standard, option A, B or E or L port (PE3L), as below  
 Seals PTFE/FKM (PV3T), or Metric solvent socket (PME3T)  
 3 meter cable, NPT thread (PNE3T), Modulating (9M) or Power Open/Close Control

Included  
 Included  
 Included  
 TBA

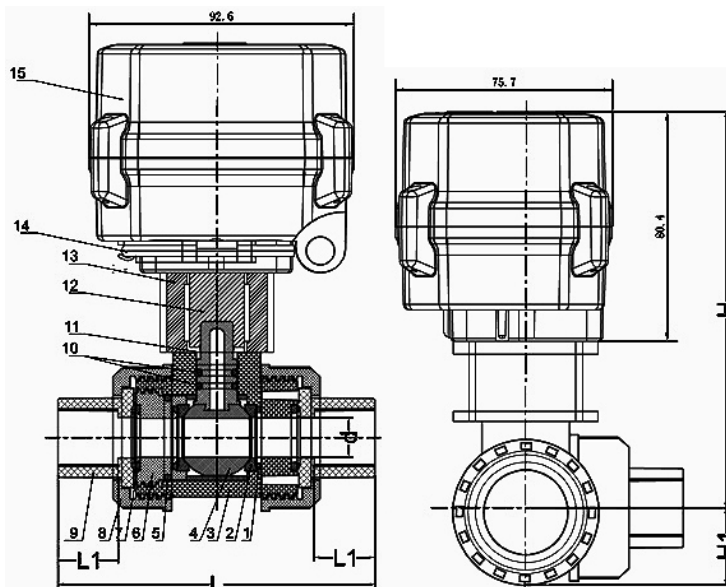
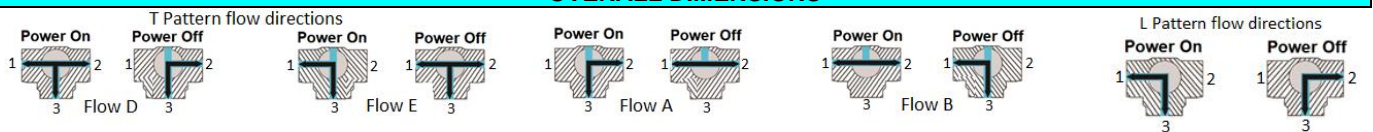
## ELECTRICAL DATA

Continuous Duty 100% Open / Close 10 seconds	Open + Closed Position Switches (Volt Free – no voltage supplied)	Torque NM	Power			Enclosure	Connection
			Start	Move	Static		
12vDC Failsafe	36vDC 0.4 Amp Max	27	3.3A	10W	0.18W	IP67	Cable 0.5 meter
24vDC Failsafe		24.1	1.2A	10.3W	0.29W		
110-240vAC Failsafe	220v 0.4 Amp Max	21.9	125mA	10.2W	0.5W		

## CONSTRUCTION

Valve Body: UPVC, Ball UPVC, Seals EPDM + PTFE  
 ABV Actuator: ABS Engineering Plastic, Gears Metal

## OVERALL DIMENSIONS



Port	d	L	L1	H	H1	Kg
1/2	14	137	22	133.4	30	
3/4	22	172	24.5	145.4	38.5	
1	25	200	28	148.4	46	
1 1/4	25	208	32	148.4	46	
1 1/2	38	240	35	172.4	65	
2	38	246	38	172.4	65	

No	Name	Material
1	O Ring	EPDM / FKM
2	Sealing	PTFE
3	Valve body	UPVC
4	Ball	UPVC
5	O Ring	EPDM / FKM
6	Bonnet	UPVC
7	O Ring	EPDM / FKM
8	Gland	UPVC
9	Socket	UPVC
10	O Ring	EPDM / FKM
11	Stem	UPVC
12	Coupling	304 Stainless
13	Mounting bracket	PA
14	Allen Key (Overdrive)	304 Stainless
15	Actuator	PPO