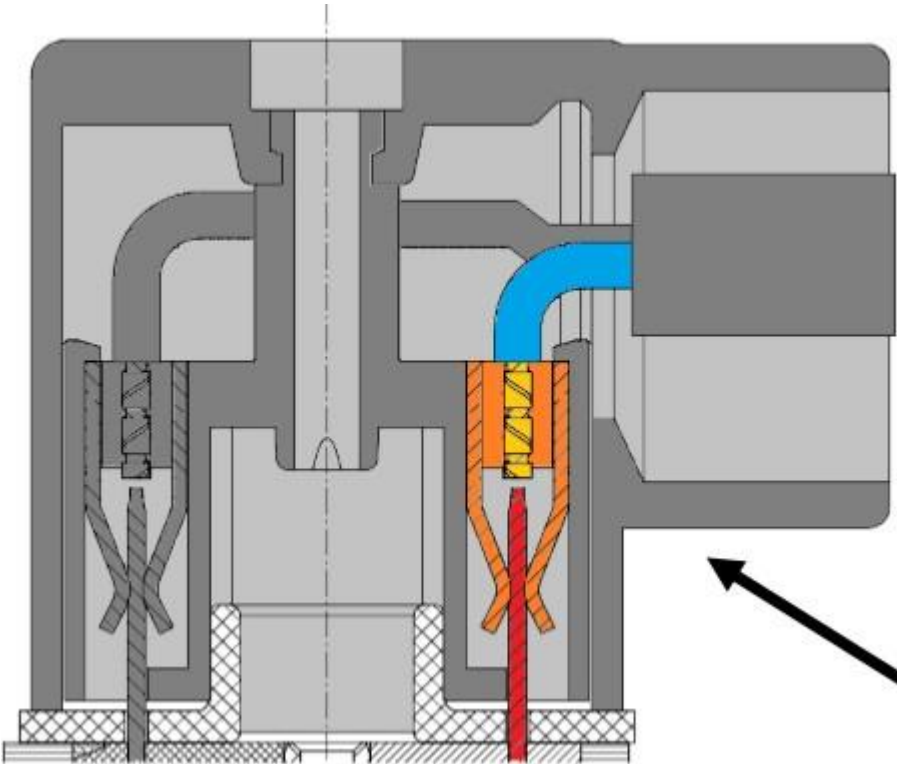
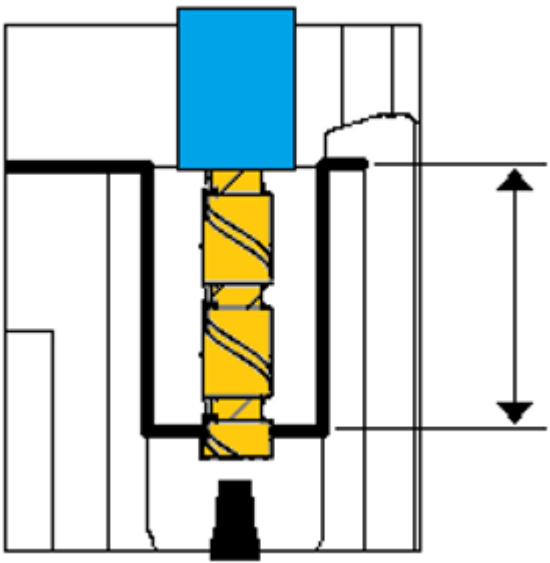


Connector Contact Wiring Instructions (Original Version)



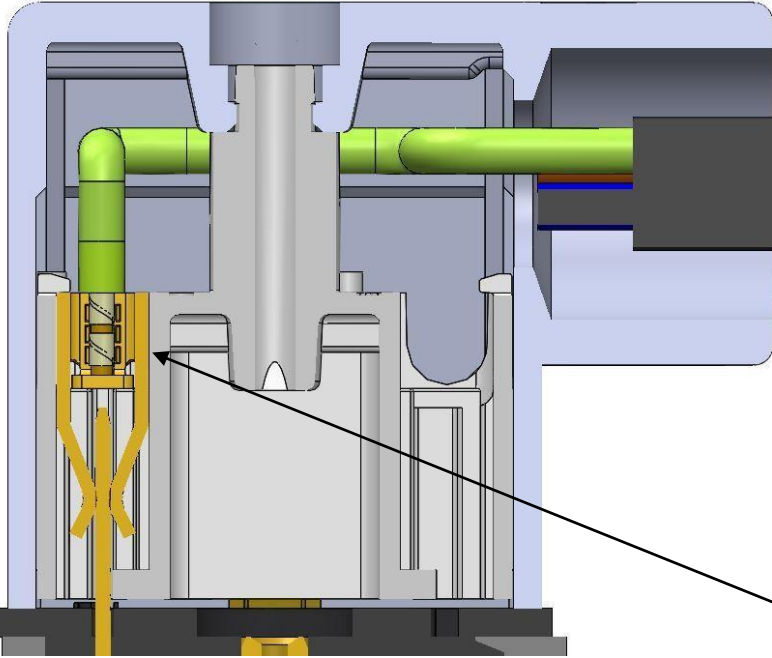
Wire ends stripped to a maximum of 5.5mm (7/32 inch) to control the depth of the wire into the contact

Wire end sleeves are recommended



max 5,5mm
(7/32 inch)

Connector Contact Wiring Instructions (New version)

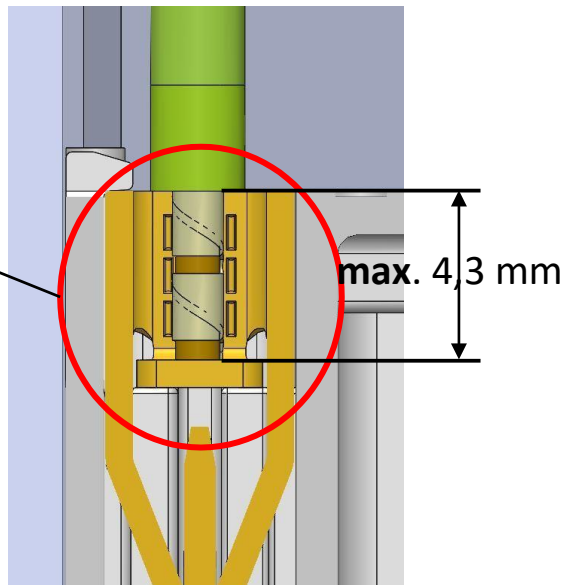


Wire ends stripped to a maximum of 4.3mm to control the depth of the wire into the contact

1. Wire end sleeves are **mandatory**.
2. Non-insulated wire end sleeves are **recommended**.

Direction of protecting earth: 12h

NEW



OLD

