

Media: water  
 Pressure range: 0.7 to 20 Bar max  
 Media temperature: -15°C +80°C max  
 Ambient temperature: -15°C to +60°C  
 Media viscosity: 50 centistokes max  
 Mounting: any position

# Pilot Float Valves

DN50 – DN300  
 Ductile Iron Epoxy Coated  
 PILOT ASSISTED  
 0.7 – 20 Bar  
 TYPE BFF-DE



## PRESSURE

Ø Port PN16	Ø Orifice (mm)	Flow Kv L/min	Max Inlet Pressure (Bar)	Part Number	List Price	
					Seals NBR	Seals Viton
DN50	50	1072.5	20	BFF50DE + seal material		
DN65	65	1501.5	20	BFF65DE + seal material		
DN80	80	2002	20	BFF80DE + seal material		
DN100	100	3718	20	BFF100DE + seal material		
DN125	125	5577	20	BFF125DE + seal material		
DN150	150	7865	20	BFF150DE + seal material		
DN200	200	14300	20	BFF200DE + seal material		
DN250	250	22880	16	BFF250DE + seal material		
DN300	300	31460	16	BFF300DE + seal material		
DN350	350	42900	10	BFF350DE + seal material		
DN400	400		10	BFF400DE + seal material		
DN450	450		10	BFF450DE + seal material		
DN500	500		10	BFF500DE + seal material		

## OPTIONS

1/2" Threaded pilot adaptor plate Flange JIS10K, JIS20K, ANSI150Lb, PN10, PN25 Other custom made sizes (up to 56") and other media and seal options available upon request	<b>Included</b>  <b>TBA</b>
--	-----------------------------------

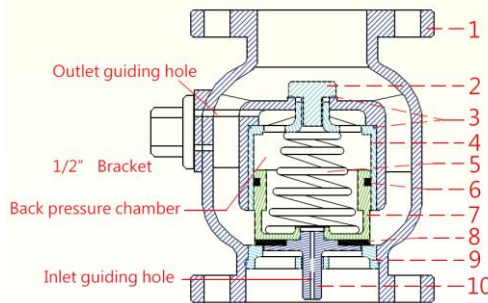
## REPAIR KIT

Body seal kit

BFE + port size + seal material - KIT

## OVERALL DIMENSIONS

Dimensions			
DN	L	A	Kg
50	190	100	10
65	212	105	13
80	225	120	16
100	250	130	22
125	284	150	30
150	310	180	42
200	420	205	85
250	470	250	150
300	535	280	200



Material Specifications	
Main Body	Ductile Iron Epoxy Coated
Cylinder bolt	Brass
O-Ring	NBR or Viton
Cylinder	Bronze
Spring	Stainless Steel
U- ring	NBR or Viton
Piston	Bronze
Sealing	NBR or Viton
Seat	Bronze
Shaft	Bronze
Controller	Brass

