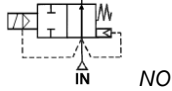


Media: air – water – gas – light oil
 Pressure range: 0.5 to 15 Bar max
 Media temperature: -40°C to +180°C Max
 Ambient temperature: -20°C to +60°C
 Media viscosity: 50 centistokes
 Mounting: coil upright
 Opening Closing Time: 50 mSec Max



2/2 Stainless

3/8 – 2

NORMALLY OPEN

2 WAY SERVO ASSISTED

0.5 – 15 Bar

TYPE NOSP225®



PRESSURE

Ø Port BSP	Ø Orifice (mm)	Flow Kv Ltr/min	Pressure Rating (Bar) ΔP		Max Working	Max Media Temp. °C	Seals	Part Number
			Min	Max				
3/8	13	40.0	0.5	10	15	NBR -15°C to +80°C	FKM	NOSP22503AV + voltage
							NBR	NOSP22503AN + voltage
1/2	13	40.0	0.5	10	15	EPDM -5°C to +130°C	EPDM	NOSP22503AE + voltage
							FKM	NOSP22504AV + voltage
3/4	25	165.0	0.5	10	15	NBR	NBR	NOSP22504AN + voltage
							EPDM	NOSP22504AE + voltage
1	25	165.0	0.5	10	15	FKM -10°C to +180°C	FKM	NOSP22506AV + voltage
							NBR	NOSP22506AN + voltage
1 1/4	38	367	0.5	10	15	EPDM	EPDM	NOSP22506AE + voltage
							FKM	NOSP22508AV + voltage
1 1/2	38	500	0.5	10	15	HNBR -40°C to +150°C	NBR	NOSP22508AN + voltage
							EPDM	NOSP22508AE + voltage
2	50	600	0.5	10	15	FKM	FKM	NOSP22512AV + voltage
							NBR	NOSP22512AN + voltage
						EPDM	EPDM	NOSP22512AE + voltage
							FKM	NOSP22514AV + voltage
						NBR	NBR	NOSP22514AN + voltage
							EPDM	NOSP22514AE + voltage
						FKM	FKM	NOSP22520AV + voltage
							NBR	NOSP22520AN + voltage
						EPDM	EPDM	NOSP22520AE + voltage

OPTIONS

IP65 Coil & Connector PG9 – DIN 43650 A
 ATEX 22003EX Coil: ATEX EExmIIT4 II 2G & 2D IP65 T130°C
 NPT Thread
 Normally Open armature assembly without shading ring (DC voltages only or with rectified connector for AC>DC)
 Flanged, degreased

Included

ELECTRICAL DATA

Voltage (-10% + 10%) Continuous duty 100%		Coil	Power Consumption		Insulation class	Enclosure	Electrical connections
~	=		Inrush	Holding			
~	12 - 24 - 48 - 110 - 240 - 380 (50 or 60 Hz)	22003	23VA	17VA	H 180°C	IP 65 with connector	3 spades DIN 43650 DIN 40050 VDE 0110
=	12 - 24 - 48 (DC)		15 Watts				

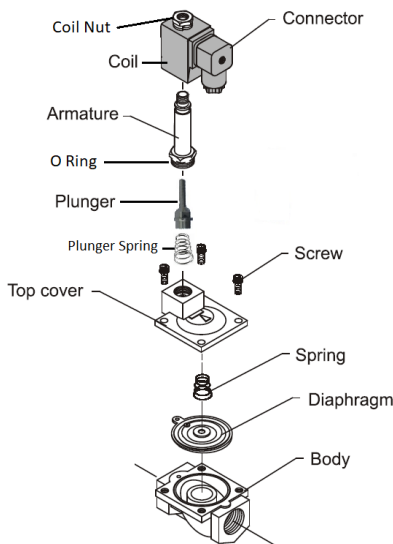
CONSTRUCTION

Body: 316 Stainless Steel (CF8M) ATEX Certified body, Tube and internal parts: 304 + 430F Stainless steel, shading ring copper (option without copper), Seals and gaskets: FKM (Optional NBR & EPDM & HNBR), Moulded coil: Duroplast / Thermo set resin

REPAIR KIT

Seal kit	ZGPU225AN + port size code (03-20) + seal material
Coil	22003 + voltage
Complete plunger assembly (Normally Open)	225320NO + seal material

OVERALL DIMENSIONS



Model	NOSP225 03 & 4A	NOSP225 06A & 08A	NOSP225 12A & 14A	NOSP225 20A
Port	3/8 + 1/2	3/4 + 1	1 1/4	2
A	66.5	96	131.5	160
B	106.5	126	145.5	160
C	48	75	101	118
Kg	0.74Kg	1.565Kg	2.56Kg	3.44Kg

