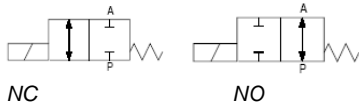
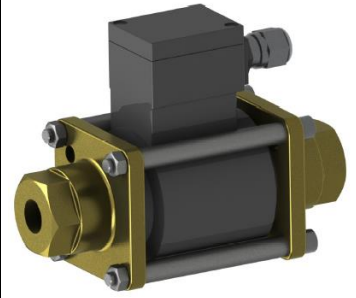


Media: air – water – oil - vacuum
 Pressure range: 0 to 20 Bar max
 Media temperature: -20° to +40°C
 Ambient temperature: -30° to +40°C
 Media viscosity: 500 centistokes max
 Mounting: any position
 Opening Closing time: 25 – 130mSec



2/2 Brass + Stainless

1/4 – 3/4" ATEX COAXIAL N/CLOSED & N/OPEN 2 WAY DIRECT ACTING 0 - 20 Bar TYPE 290



PRESSURE

Port BSP	Ø Orifice (mm)	Flow Kv L/min	Pressure Rating (bar) ΔP		Body Material	Part Number	
			Min	Max			
				P→A			A→P
1/4, 3/8, 1/2, (3/4*)	10	51	0	20	16	Brass	290A10MOG + port + voltage
	10	51	0	20	16	AISI303	290A10V2G + port + voltage
	10	51	0	20	16	AISI316	290A10V4G + port + voltage
3/8, 1/2, 3/4, (1*)	15	91	0	20	16	Brass	290A15MOG + port + voltage
	15	91	0	20	16	SISI303	290A15V2G + port + voltage
	15	91	0	20	16	AISI316	290A15V4G + port + voltage

OPTIONS DN10

ATEX II 2G ExemII T4 + II 2D td A21 IP65 T130°C
 Normally Open version
 Fastening Brackets (Steel Zinc plated)
 Oil and grease free

*Special options – Vacuum – Manual Override – Galvanised or Nickel Plated Steel Body - Manifold

Included

OPTIONS DN15

ATEX II 2G ExemII T4 + II 2D td A21 IP65 T130°C
 Normally Open version
 Fastening Brackets (Steel Zinc plated)
 Oil and grease free

*Special options – Vacuum – Manual Override – Galvanised or Nickel Plated Steel Body - Manifold

Included

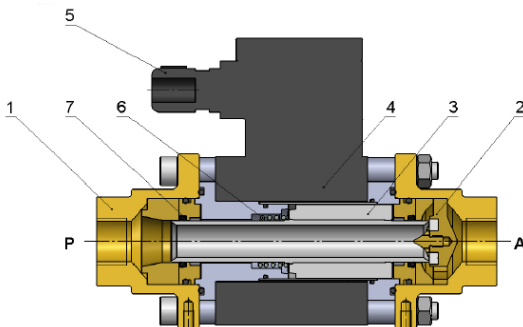
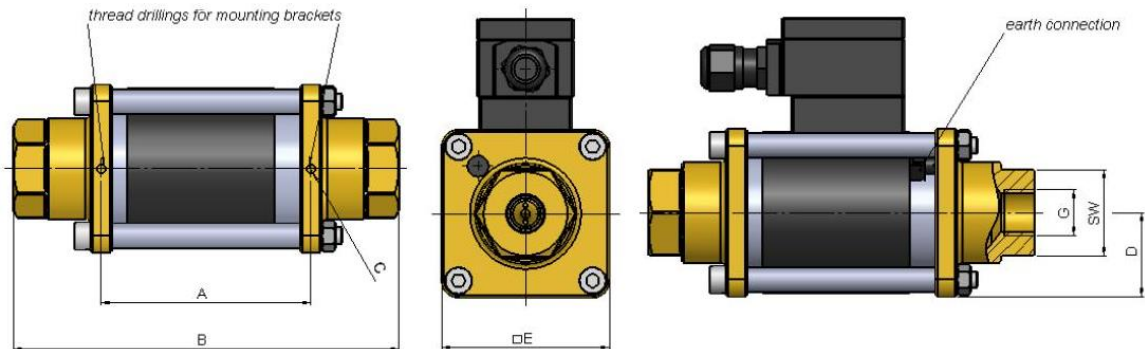
ELECTRICAL DATA

Voltage (-10% + 10%) Continuous duty 100%	Power Consumption (Watts)		Insulation class	Enclosure	Electrical connections
	Ø 10	Ø 15			
~ 230 (40 – 60Hz Connector with rectifier)	23	23	F 155°C	IP 65 with connector	3 spades DIN 43650 DIN 40050 VDE 0110
= 24 (DC)	30	30			

CONSTRUCTION

Body: Brass MS058 (MG version): Option: St steel 303 (V2G) or 316L (V4G)
 Tube and internal parts: Stainless steel
 Seals: Static FKM - Dynamic PTFE (Optional NBR, EPDM or PTFE)

OVERALL DIMENSIONS



DN	G	SW	A	B	C	D	E	Kg
10	1/4 3/8 1/2 (3/4*)	32	84	159.5	M4	32.5	65	2.3
15	3/8 1/2 3/4 (1*)	41	100	184	M5	40	80	4.3

Position	Description
1	Port adaptor
2	Valve Seat
3	Plunger
4	Solenoid
5	M16x1.5 Cable entry
6	Spring
7	PTFE Rod seal