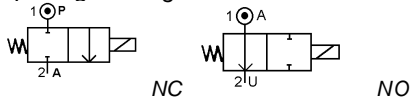


Media: air – water – oil - vacuum
 Pressure range: 0 to 100 Bar max
 Media temperature: -20° to +100° C
 Ambient temperature: -30° to +50° C
 Media viscosity: 500 centistokes max
 Mounting: any position
 Opening Closing time: 25 – 130mSec



2/2 Steel

1/8 – 1/4 COAXIAL

N/CLOSED & N/OPEN

2 WAY DIRECT ACTING

0 - 100 Bar

TYPE 266



PRESSURE

Port BSP	Ø Orifice (mm)	Flow Kv L/min	Pressure Rating (bar) ΔP		Body Material	Part Number	
			Min	Max			
				A→P			P→A
1/8 or 1/4	2.0	2.5	0	12	100	Steel Galvanised	266A20S1G + port + voltage
	3.0	3.7	0	12	40		266A30S1G + port + voltage
	4.0	6.5	0	12	20		266A40S1G + port + voltage
	5.0	8.0	0	12	16		266A50S1G + port + voltage
	6.0	9.5	0	10	10		266A60S1G + port + voltage
	2.0	2.5	0	12	100	Steel Nickel Plated	266A20S2G + port + voltage
	3.0	3.7	0	12	40		266A30S2G + port + voltage
	4.0	6.5	0	12	20		266A40S2G + port + voltage
	5.0	8.0	0	12	16		266A50S2G + port + voltage
	6.0	9.5	0	10	10		266A60S2G + port + voltage

OPTIONS

Normally Open version (266B)
 Fastening Brackets (Steel Zinc plated)
 Free of oil and grease
 Other options: NPT thread or special 3/8 connection

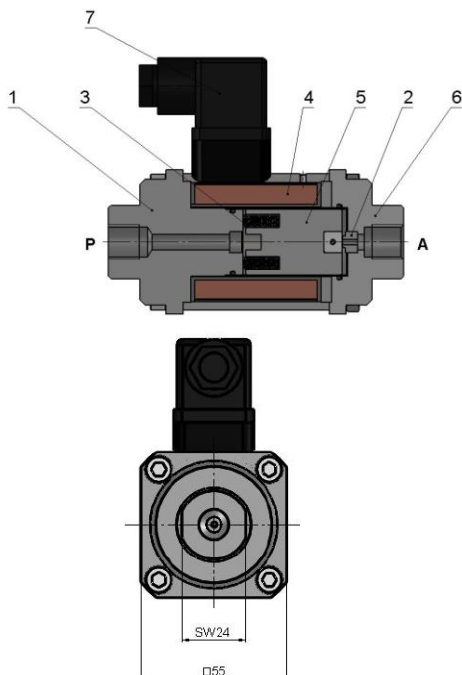
ELECTRICAL DATA

	Voltage (-10% + 10%) Continuous duty 100%	Power Consumption (Watts)	Insulation class	Enclosure	Electrical connections
~	12 - 24 - 48 - 110 - 230 (Connector with rectifier)	41	F 155°C	IP 65 with connector	3 spades DIN 43650 DIN 40050 VDE 0110
=	12 - 24 - 48 - 110 - 230 (DC)	35			

CONSTRUCTION

Body: Steel
 Tube and internal parts: Stainless steel
 Seals: PTFE

OVERALL DIMENSIONS



Position	Quantity	Description
1	1	Solenoid core
2	1	Nozzle
3	2	Spring
4	1	Coil
5	1	Plunger
6	1	Adaptor fitting
7	1	Plug
Weight	1.7Kg	

