

Media: air – Inert Gas
 Pressure range: 0 to 8 Bar max
 Media temperature: -10°C to +80°C max
 Ambient temperature: -10°C to +80°C max
 Mounting: any position
 Weight: 70, 75, 110 g
 Exhaust: M5

5/2 & 5/3 Pneumatic Valve

1/8" 18mm Width



5/2 S/RETURN or 5/2 + 5/3 D/ACTING

DIRECT ACTING



0 – 8 Bar

TYPE SA520S&D & SA530D

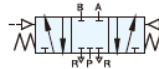

5/2 Way Spring Return SA520S Series

Ø Port BSP	Ø Orifice (mm ²)	Pressure Rating (Bar) ΔP		Max Working	Part Number	Width	
		Min	Max				
1/8	11	0	8	10	SA52001S	18mm	

5/2 Way Double Acting SA520D Series

Ø Port BSP	Ø Orifice (mm ²)	Pressure Rating (Bar) ΔP		Max Working	Part Number	Width	
		Min	Max				
1/8	11	0	8	10	SA52001D	18mm	

5/3 Way Double Acting SA530D Series

Ø Port BSP	Ø Orifice (mm ²)	Pressure Rating (Bar) ΔP		Max Working	Part Number	Width	
		Min	Max				
1/8	9	0	8	10	SA53001D	18mm	

OPTIONS

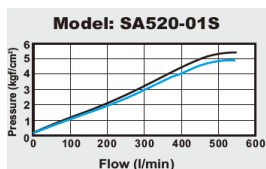
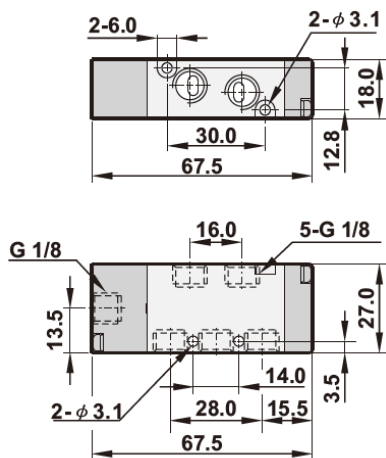
NPT or Rc Thread
 SA530X Exhaust centre or SA530Y pressure centre
 SA0501 Manifold c/w Gaskets and Fixing Kit (cost is per station Ref: MF520 X Number of stations)

CONSTRUCTION

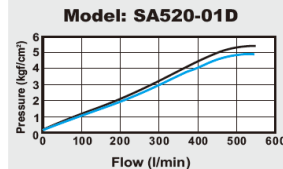
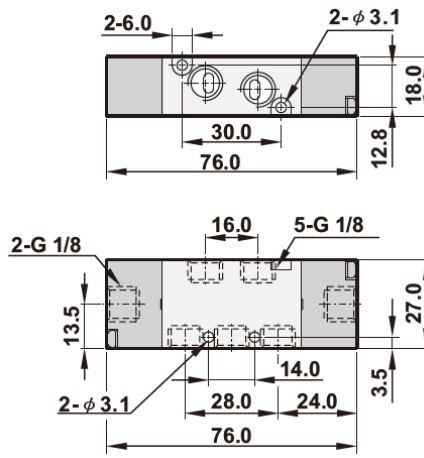
Body: Anodised Aluminium, Tube and internal parts: Stainless steel
 Seals and gaskets: NBR, Moulded coil: Resin

OVERALL DIMENSIONS

SA52001S



SA52001D



SA53001D

