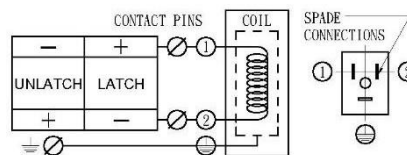
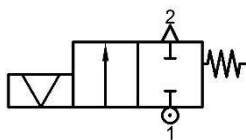




2/2 Direct Acting Plunger Series Latch Valve

Opening: 5~20ms

Closing: 10~40ms



| Power Consumption | #2L DC COIL | Watt | Final Temp. °C |
|--|-------------|------|----------------|
| | DC 6V | 6.9 | 89 |
| | DC 12V | | 102 |
| | DC 24V | 6.0 | 78 |
| Ambient Temp. : -15°C~50°C (No Freezing) | | | |

| SEAL | Temp. °C | #2L |
|---------|----------|--------|
| | N: NBR | -5~80 |
| | J: EPDM | -10~80 |
| | V: FKM | |
| | T: PTFE | -20~80 |
| Z: FFKM | | |

SPECIFICATIONS

Brass Body, For Water, Air, Gas, Light Oil (Under 50est), Vacuum etc.

| CODE (PIPE) | Fig. NO. | Orifice mm | SEAL | COIL | WORKING PRESSURE | | |
|-------------|----------|------------|------|------|------------------|------|------------------|
| | | | | | 0~ bar | | |
| | | | | | Cv | Torr | |
| 01 (M5) | 1 | 1.0 | N | #2L | 10.0 | 0.03 | 10 ⁻² |
| | 2 | 1.3 | J | | | 0.05 | |
| | 3 | 1.6 | V | | | 0.09 | |
| 04 (1/8") | 4 | 2.0 | T | | 7.0 | 0.14 | 10 ⁻¹ |
| | 5 | 2.5 | T | | | 0.18 | |
| 06 (1/4") | 6 | 3.0 | Z | | 4.0 | 0.27 | |

★PTFE seal has below 300cc/min. slight leakage, not suitable for vacuum.

★Max. Orifice: T-2.5mm.

TYPE INDICATION

| TYPE | CODE | FIG. NO. | SEAL | COIL # | PLUG | CONN. | VOLTAGE |
|------|-----------|----------|---------|--------|-------------|-------------|---------|
| BL | 01 (M5) | 1 | N: NBR | L: #2L | 0: DIN | P: PT (Rc) | AC-- |
| | 03 (1/8") | 2 | J: EPDM | | A: None | N: NPT | DC-- |
| | 04 (1/8") | 3 | T: PTFE | | D: Lamp | G: G (BSPF) | |
| | 06 (1/4") | 4 | V: FKM | | G: 1/2" NPT | | |
| | | 5 | Z: FFKM | | Y: WIRES | | |
| | | 6 | | | | | |

EXAMPLES

Example 1: BL01-4-N-L-0 DC24

TYPE BL, M5, Orifice 2.0mm, NBR Seal, Nass #2 Coil, DIN Plug, DC24V

Example 2: BL06-1-V-L-D-G DC12V

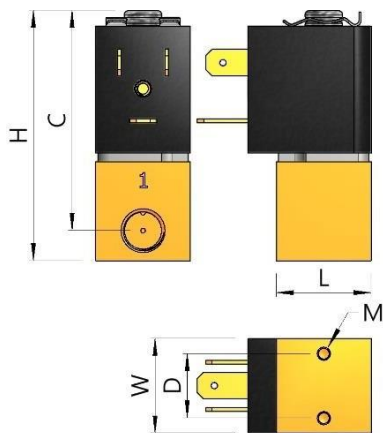
TYPE BL, G $\frac{1}{4}$, Orifice 1.0 mm, FKM Seal, Nass #2 Coil, LED Plug, DC12V

DIMENSIONS/WEIGHT

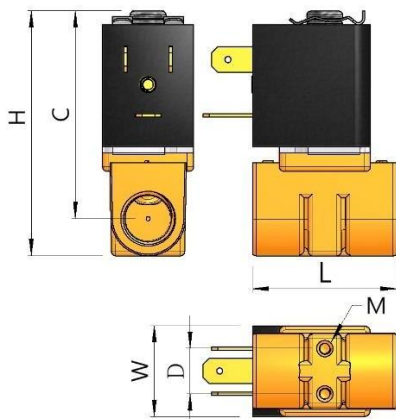
| CODE | Size:mm | | | | | | NET WEIGHT kg |
|----------------------|---------|----|----|----|----|----|------------------|
| | L | W | H | C | D | M | |
| 01 (M5) | 22 | 22 | 54 | 49 | 15 | M3 | 0.17 |
| 03 ($\frac{1}{8}$ " | | | 58 | 51 | | | 0.18 |
| 04 ($\frac{1}{8}$ " | 35 | 22 | 60 | 51 | 11 | | 0.21 |
| 06 ($\frac{1}{4}$ " | | | | | | | 0.19 |

DIMENSION DRAWING

BL 01/03



BL 04/06



OPTION M Bracket

