

2/2 Way Solenoid Valve PU220A

Series Brass Series, Assisted Lift

Features

1. Quick response.
2. Stainless steel stem provides exceptional durability.
3. Flange type is available for PN16, optional JIS 10K and ANSI 150LB.
4. Ex-proof coil EExmIIT4 (0-3 Bar Max).
5. Timer for setting on/off time as optional accessory.
6. High power 18.5 Watt coil Pressure: 0-12 Bar. (all models)



How to order

PU220A	N	V	F	-	03	N	-	S1	L	E
Brass Assisted lift	Acting style	Diaphragm	Flange type	Port size	Thread	Voltage	Led	Ex-Proof coil		
	A: Normally closed AN: Normally open	Blank: NBR V: VITON E: EPDM H: HNBR	Blank: W/O Flange F: 10K F3: 150LB F4: PN16 only for A series	03: 3/8" 04: 1/2" 06: 3/4" 08: 1"	Blank: G N: NPT R: Rc	S1: 110VAC S2: 230VAC S7: 24VAC S8: 12VDC S9: 24VDC	Blank: W/O LED L: W/I LED	Blank: Standard E: EX-proof coil		

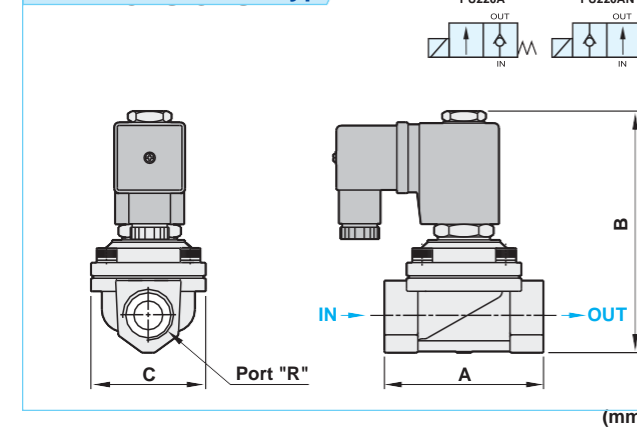
Specifications

Model	PU220A-03	PU220A-04	PU220A-06	PU220A-08
Port size	3/8"	1/2"	3/4"	1"
Fluid	Compressed air (light oil, water)			
Orifice	13mm	13mm	20mm	25mm
Effective area	76mm ²	76mm ²	162mm ²	220mm ²
Acting Construction	Assisted lift Diaphragm			
Operating pressure range AC	0 ~ 7 kgf/cm ²			
Operating pressure range DC	0 ~ 6 Bar		0 ~ 5 Bar	
Proof pressure	10 kgf/cm ²			
Body material / Flange material	Forged Brass / Steel SS41			
Fluid temperature	-10°C ~ 90°C			
Ambient temperature	-10°C ~ 60°C			
Installation	Horizontal			
Duty cycle	100% ED			
Coil type	DIN			
Protection class	IP65 (DIN 40 050)			
Insulation class	H			
Voltage tolerance	± 10%			
Standard voltage	380vAC 230vAC, 110vAC, 24vAC, 12vDC, 24vDC,			
Power consumption	AC110V:17.6VA, AC220V:18.1VA, DC: 15W (DC:18.5W option)			
Net weight	740g	740g	945g	1485g

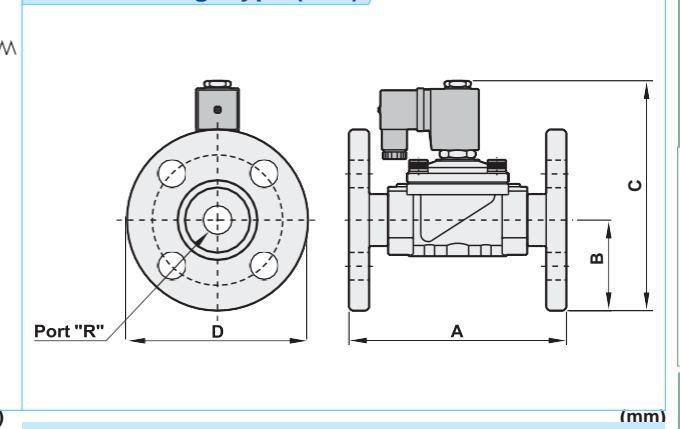
Seal material selection guide

Seal	Temperature range	Suitable fluid	Unsuitable fluid
NBR	-15°C ~ 80°C	Air, Water, Neutral gases, Mineral oil	Fuel oil, Gasoline and Hi-test gasoline, Diesel fuel
HNBR	-40°C ~ 150°C	Air, Water, Gear oil, Engine oil	Pharmaceutical liquid, Gasoline and Hi-test gasoline, Light oil
VITON	-10°C ~ 180°C	Fuel oil, Gasoline and Hi-test gasoline, Diesel fuel	Hot water, Steam, Brake oil (ATE Blue)
EPDM	-5°C ~ 130°C	Hot water, Detergent liquid	Mineral oil, Gasoline

PU220A Standard type

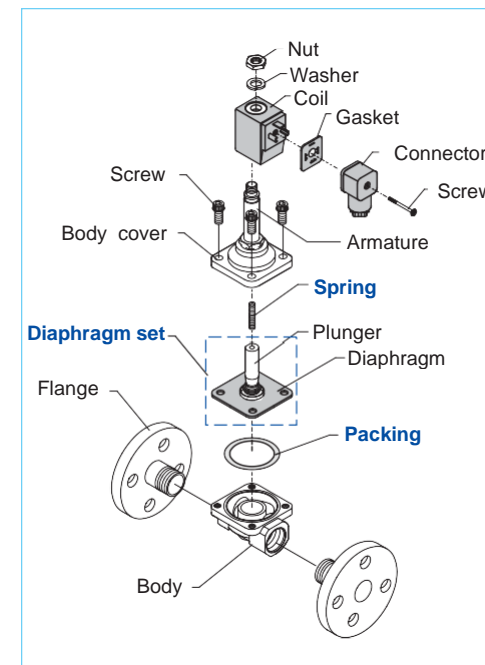


PU220A Flange type (10K)



Model	PU220A-03	PU220A-04	PU220A-06	PU220A-08	Model	PU220AF-03	PU220AF-04	PU220AF-06	PU220AF-08
R	3/8"	1/2"	3/4"	1"	R	3/8"	1/2"	3/4"	1"
A	66.5	66.5	71	96	A	110	110	120	150
B	101	101	107	120.5	B	45	47.5	50	62.5
C	48	48	58	70.7	C	130.5	133	138.5	158.5
					D	90	95	100	125

Explosion



How to order Repair kit

ZGPU220A	-	03	N
Repair kit		Port size	Diaphragm
ZGPU220A (Normally closed)		03: 3/8", 1/2"	N: NBR
ZGPU220AN (Normally open)		06: 3/4"	V: VITON
		08: 1"	E: EPDM
			H: HNBR

Description	Qty.
Diaphragm set	1
Spring	1
Packing	1

Flow chart

