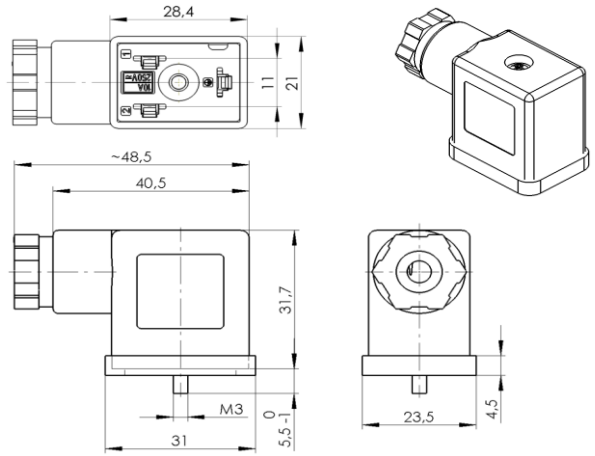


Connector, form B, industrial type

Housing

Type one-piece
 Color opaque (milky)
 Material PA6 GF20
 Imprint circuit diagram; black; top side



Cable gland

Thread M16 x 1,5 mm
 Cable diameter 6-8 mm
 Color black
 Material PA6 GF30
 Tightening torque 1,8 ± 0,2 Nm

Terminal block

Material PA6 GF30
 Poles 2 + PE
 Direction of protecting earth 12 h
 Contact distance 11 mm

⑤ Contacts **

Material CuZn, tin-plated
 Resistance < 15 mOhm
 Conductor cross-section 0,5 - 1,5 mm²
 Tightening torque max. 0,3 Nm

Gasket

Material NBR, black
 Type profile

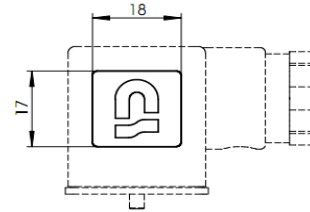
Fastening screw

⑤ Material steel 4.8, coated with zinc-nickel
 ⑤ Size M3 x 34,0 mm (with cross recess)
 Tightening torque 0,4 ± 0,1 Nm
 Sealing washer n/a

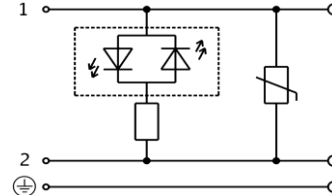
Circuit

Circuit LED + varistor
 Color of LED red
 Protecting element yes, varistor
 Voltage 230 V ± 15 %
 Current type AC / DC
 Operating current max. 1,5 A
 Protecting against wrong polarity yes

Logo



Circuit diagram



General properties

Ambient temperature range -25°C ... +90°C
 RoHS yes
 CSA approval n/a
 Protection grade (IEC 60529) * IP65

Packaging

100 pcs packaging. Terminal block and housing are packed in pre-assembled condition. Cable gland components are pre-assembled in housing. Fastening screw is inserted in the packet in packaged condition. Profile gasket is inserted into the packet in packaged condition.

* Must be tested in properly mounted state on the counterpart.

** In order to establish a suitable electrical connection, the use of ferrules for stranded respectively fine-stranded conductors is mandatory. Be aware that the conductor cross-section affects the maximum current-load capacity.

				Zulässige Abweichung für Maße ohne Toleranzangabe Unless otherwise specified tolerances	Format/Size: A4	Maßstab/Scale:	Gewicht/Weight:	
5	31645	07.10.2022	BKI	DIN ISO 2768-v	Werkstoff: Material:			
4	31552	19.07.2022	BKI		Benennung: Title:			
3	29839	17.02.2020	AKO	Schutzvermerk beachten Observe protection note ISO 16016	<h1>Connector field att. I 03Er</h1>			
2	29397	26.06.2019	GJO					
1	27583	07.03.2017	LMA					
Ind Rev	Änderung-Nr. Change no.	Datum Date	Name By		Ident. - Nr.:	Freigabe-Nr.: Approval no.:	Blatt: Sheet:	
Geprüft: Checked:						<h2>612-201-0306</h2>	22824	1
Erstellt: Created:								
07.10.2022 JONAS					Ersatz für/Replacement for:			
19.01.2009 SZABO								