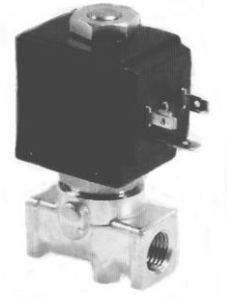


ELECTROVANNE 2/2 NF ou NO 2 VOIES A COMMANDE DIRECTE SOLENOID VALVE 2/2 NC or NO 2 WAYS DIRECT OPERATED

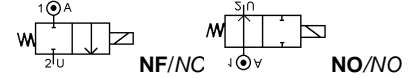


TYPE 200201

SPECIFICATIONS TECHNIQUES TECHNICAL SPECIFICATIONS

Fluides admis : air – eau - gaz - huile légère - vide
 Pression différentielle : 0 à 30 bar maxi
 Température du fluide : 100° C maxi
 Température ambiante : -10° à +50° C maxi
 Viscosité : 40 centistokes maxi
 Position de fonctionnement : indifférente
 Poids (avec bobine) : 300 g

Media : air – water – gas – light oil - vacuum
 Pressure range : 0 to 30 bar max
 Media température : 100° C max
 Ambient température : -10° to +50° C max
 Media viscosity : 40 centistokes max
 Mounting : any position
 Weight (including coil) : 300 g

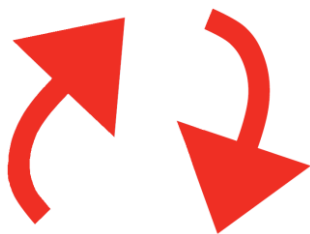


PRESSION PRESSURE

| TYPE TYPE | ØRaccord Ø Port | Ø passage (mm) Ø seat (mm) | Kv L/mn | Pression / Pressure (bar) | | | Codification pour commande Voir tableau des codifications Code for order See table of references | |
|------------------|--------------------|-------------------------------------|------------|---------------------------|------------------------------------|------|---|--|
| | | | | mini | Max. ~ 10 w = 10 w = 14 w | | | |
| 2/2 NF 2/2 NC | 1/8 GAZ 1/8 BSP | 1.5 | 1.2 | 0 | 30 | 26 | - | 215201+garniture/seals material +0181+voltage+option |
| | | 2 | 1.7 | 0 | 22 | 20 | - | 220201+garniture/seals material +0181+voltage+option |
| | | 2.5 | 2.5 | 0 | 16 | 14 | - | 225201+garniture/seals material +0181+voltage+option |
| | | 3.5 | 5.4 | 0 | 10 | 7.5 | - | 235201+garniture/seals material +0181+voltage+option |
| | 1/4 GAZ 1/4 BSP | 1.5 | 1.2 | 0 | 30 | 26 | - | 215201+garniture/seals material +0141+voltage+option |
| | | 2 | 1.7 | 0 | 22 | 20 | - | 220201+garniture/seals material +0141+voltage+option |
| | | 2.5 | 2.5 | 0 | 16 | 14 | - | 225201+garniture/seals material +0141+voltage+option |
| | | 3.5 | 5.4 | 0 | 10 | 7.5 | - | 235201+garniture/seals material +0141+voltage+option |
| | 3/8 GAZ 3/8 BSP | 4.5 | 6.9 | 0 | 6 | 3.5 | - | 245201+garniture/seals material +0141+voltage+option |
| | | 5.2 | 7.9 | 0 | 4 | 1.8 | - | 252201+garniture/seals material +0141+voltage+option |
| | | 5.2 | 7.9 | 0 | 4 | 1.8 | - | 252201+garniture/seals material +0381+voltage+option |
| | | 6 | 10.5 | 0 | 2.4 | 0.4 | - | 260201+garniture/seals material +0381+voltage+option |
| 2/2 NO 2/2 NO | 1/8 GAZ 1/8 BSP | 7.5 | 15 | 0 | 1.5 | 0.25 | - | 275201+garniture/seals material +0381+voltage+option |
| | | 1.5 | 0.65 | 0 | 20 | - | 20 | 215201+garniture/seals material +0180+voltage+option |
| | | 2 | 1 | 0 | 16 | - | 16 | 220201+garniture/seals material +0180+voltage+option |
| | | 2.5 | 1.4 | 0 | 12 | - | 12 | 225201+garniture/seals material +0180+voltage+option |
| | 1/4 GAZ 1/4 BSP | 3.5 | 2.1 | 0 | 5 | - | 5 | 235201+garniture/seals material +0180+voltage+option |
| | | 1.5 | 1.2 | 0 | 20 | - | 20 | 215201+garniture/seals material +0140+voltage+option |
| | | 2 | 1.5 | 0 | 16 | - | 16 | 220201+garniture/seals material +0140+voltage+option |
| | | 2.5 | 2.2 | 0 | 12 | - | 12 | 225201+garniture/seals material +0140+voltage+option |
| | 3.5 | 4.9 | 0 | 5 | - | 5 | 235201+garniture/seals material +0140+voltage+option | |
| | 4.5 | 6.2 | 0 | 3 | - | 3 | 245201+garniture/seals material +0140+voltage+option | |

CARACTERISTIQUES ELECTRIQUES ELECTRICAL DATA

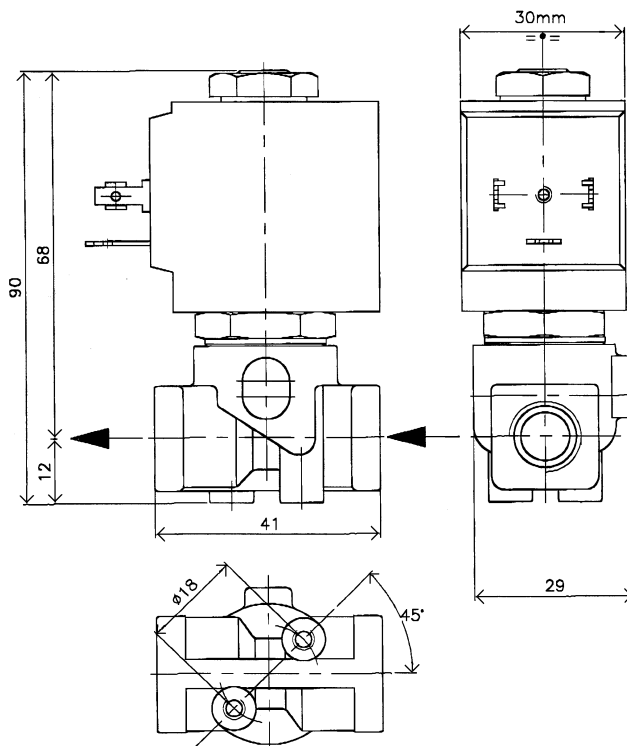
| Tension / voltage (-10% + 15%) Durée d'enclenchement 100% Continuous duty 100% | Taille Size | Puissance / Power | | Classe d'isolation Insulation class | Degré de protection Enclosure | Raccord électrique Electrical connections |
|--|----------------|---------------------|------------------------|--|--|--|
| | | A l'appel Inrush | Au maintien Holding | | | |
| ~ 24-48-110-230 (50 ou/or 60 Hz) | 30 | 26 VA | 14 VA | F 155°C | IP 65 avec connecteur with connector | 3 fiches 3 spades DIN 43650 DIN 40050 VDE 0110 |
| = 12-24-48 | 30 | 10 W | | | | |
| | 36 | 14 W | | | | |



ELECTROVANNE 2/2 NF ou NO
2 VOIES A COMMANDE DIRECTE
SOLENOID VALVE 2/2 NC or NO
2 WAYS DIRECT OPERATED

TYPE 200201

ENCOMBREMENT
OVERALL DIMENSIONS



CONSTRUCTION
CONSTRUCTION

Corps : laiton
Tube et pièces internes : acier inoxydable
Joints et clapets : NBR ou EPDM ou FKM
Bobine surmoulée : résine

Body : brass
Tube and internal parts : stainless steel
Seals and gaskets : NBR or EPDM or FKM
Moulded coil : resin

OPTIONS
OPTIONS

Connecteur PG9 – DIN 43650 A
Capot anti-déflagrant : EExdllc pour version NF

Connector PG9 – DIN 43650 A
Explosion proof enclosure : EExdllc for NC version

KITS DE MAINTENANCE
REPAIR KIT

| Désignation <i>designation</i> | Codification pour commande <i>Code to order</i> |
|---|--|
| Bobine <i>Coil</i> | Voir tableau des codifications bobines <i>See table of coils references</i> |
| Noyau équipé + joints <i>Complete plunger + O'rings</i> | KIT200201 + NF ou NO + matière d'étanchéité <i>KIT200201 + NF or NC + seals material</i> |