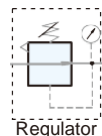


Symbol



Features

1. Constant and stable fluid pressure control, smallest influence for outlet pressure while inlet pressure is unstable.
2. Precision pressure setting, sensitivity within $\pm 0.5\%$ F.S.
3. Suitable for high precision tension control, balanced air pressure application.

Note: Please install filter UF series upstream to prevent from damage of water or dirt, so as for longer life of the pneumatic unit.

How to order

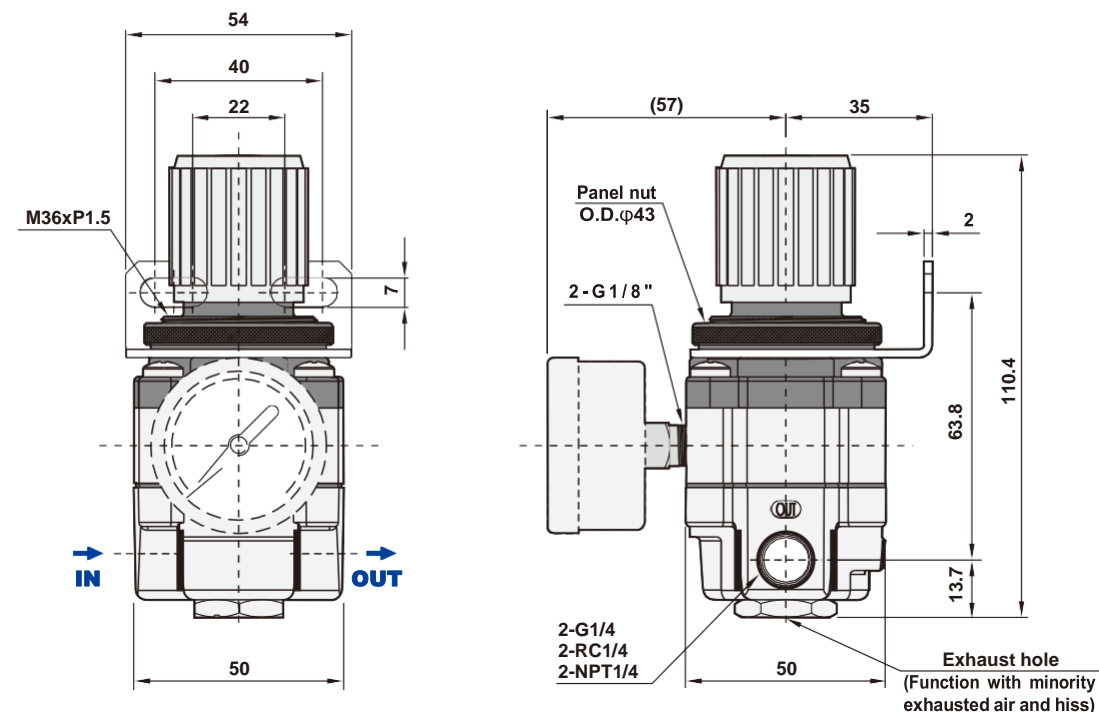
URP	—	02	N	B	G
Precision Regulator		Port size	Thread	Mounting bracket	Bowl guard
URP		:0.1~8kgf/cm ²	Blank:G	Blank:W/O bracket	Blank:W/O guard
URPL4		:0.1~4kgf/cm ²	N :NPT	B :W/I bracket	K :W/I guard
URPL2		:0.05~2kgf/cm ²	R :Rc		

Specifications

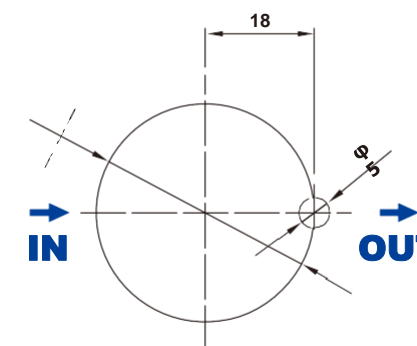
Model	URP-02	URPL4-02	URPL2-02
Port size	1/4"		
Fluid	Compressed air		
Regulator construction	Diaphragm		
Body material	Aluminum die-cast		
Operating pressure range	0.1~8 kgf/cm ²	0.1~4 kgf/cm ²	0.05~2 kgf/cm ²
Proof pressure	10 kgf/cm ²		
Sensitivity	0.2% (F.S.)		
Repeatability (switch output)	$\pm 0.5\%$ (F.S.)		
Ambient temperature	-5°C ~ 60°C		
Standard color of regulating knob	Blue	Orange	Yellow
Net weight	345g (Exclusive of pressure gauge, mounting bracket)		
Accessories	Plug, Panel mounting nut		
Option	Mounting bracket, pressure gauge (Please refer to P1-72 for selection)		

Dimensions

URP-02



Panel Bore Size



Thickness: Max. 3.5