



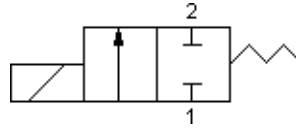
2/2 WAY N. C.

Direct Acting Plunger Series



ISO 9001 Certificate

- Right Angle Output
- Opening: 5~20ms
- Closing: 10~40ms



DB

Power consumption	2 #	# 3	# 2E	# 4	# 5	# 3E
A C (V A)	6.9	8.0	5.7	19.5	23.0	9.2
Final Temperature °C	65.0	60.0	53.0	80.0	85.0	63.0
D C (W)	6.2	6.8	5.2	15.0	18.5	10.0
Final Temperature °C	65.0	73.0	62.0	103.0	95.0	80.0

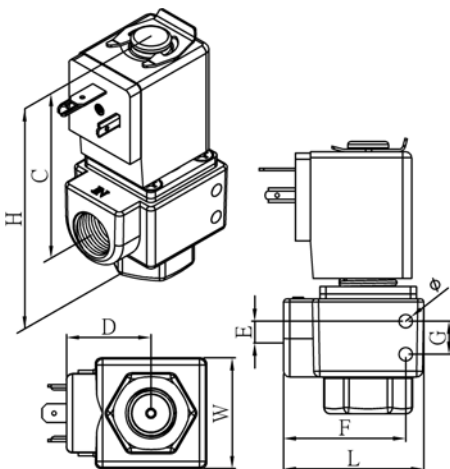
SPECIFICATIONS: Forged Brass Body for Water. Air. Gas. Light Oil etc.

CODE (Pipe)	FIG. N O .	ORIFICE mm	SEAL	COIL #	TEMP. °C						WORKING PRESSURE 0~ bar												CV				
					#2/#2E		#3		#4 / #5 / #3E		# 2		# 3		#2E		#4		#5		#3E						
					N	V	N	V	N	V	AC	DC	AC	DC	AC	DC	AC	DC	AC	DC	AC	DC					
06(1/4") 09(3/8")	1	2.0	N	2	-10	-10	-10					7	2.5	11	6	7	4									0.14	
	2	2.5		3	/	/	/	-					5	2	9	4	5	3									0.18
	3	3.0		2E	90	90	145						2	0.5	4	2	3	1									0.27
	4	3.5																									0.30
10(3/8") 15(1/2")	1	3.5	V	4															20	16	25	20	16	16		0.45	
	2	4.0		5				-10	-10											16	13	20	16	10	13		0.53
	3	4.5		3E				90	160											13	10	16	13	8	10		0.65
	4	5.0																		8	5	12	10	4	5		0.83
	5	6.0																		4.5	1.5	7	3	1.5	1.5		0.95

TYPE INDICATION

TYPE	PIPE	FIG.	SEAL	COIL#	CONN.	VOLTAGE
DB	06(1/4") 09(3/8") 10(3/8") 15(1/2")	1 2 3 4 5	: □ N NBR V: FKM	□ : #2 3 E: EExmIIT4 □ : #4 5	□ : Standard O: W/O D: LED G : 1/2" NPT Y : #2 coil w/cable	AC DC

TYPE	L	W	H	C	D	E	F	G	Ø	NET WEIGHT kg					
										#2	#3	#2E	#4	#5	#3E
DB06	36	31	69	49	21	8.5	30	11	4.5	0.26	0.30	0.66			
DB09										0.25	0.29	0.65			
DB10	46	37	91	67	28	7	41	11	4.5				0.50	0.59	0.84
DB15													0.49	0.58	0.83



Example 1 DB09-3-D DC24V

TYPE DB, 3/8" PIPE, ORIFICE 3.0 mm, NBR Seal, Nass #3 COIL, LED Plug DC24V

Example 2 DB10-2-V-5 AC220V

TYPE DB, 3/8" PIPE, ORIFICE 4.0 mm, FKM Seal, Nass #5 COIL Standard Plug AC220V

Example 3 DB15-4-V-E AC220V

TYPE DB, 1/2" PIPE, ORIFICE 5.0 mm, FKM Seal, EExmIIT4 Coil AC220V

※The specifications are tested with NASS AC220V/50HZ and DC24V. We reserves the right to change the specifications without prior notice.

E-mail: sales@solenoid-valves.com

Website: www.solenoid-valve.world

TEL: +(44) 0 1454 334 990

FAX: +(44) 0 1454 326 390

Connexion Developments LTD.