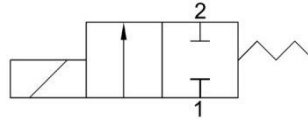




2/2 Way Direct Acting N.C. Plunger Series

Opening: 15~30ms

Closing: 30~60ms



AMBIENT TEMP. -15°C~50°C (No Freezing)

Coil No.	#4	#5	#3E
AC(VA)	18.0	24.0	8.6
Final Temp. °C	88.0	93.0	63.0
DC(W)	15.0	18.5	10.0
Final Temp. °C	103.0	109.0	82.0

SEAL TEMP. °C

Coil No.	#4	#5	#3E
N:NBR	-5~80		
J:EPDM	-10~145		
R:RUBY	-20~160	-20~185	-20~160
T:PTFE	-20~160		
V:FKM	-10~145		
Z:FFKM	-20~160	-20~185	-20~160

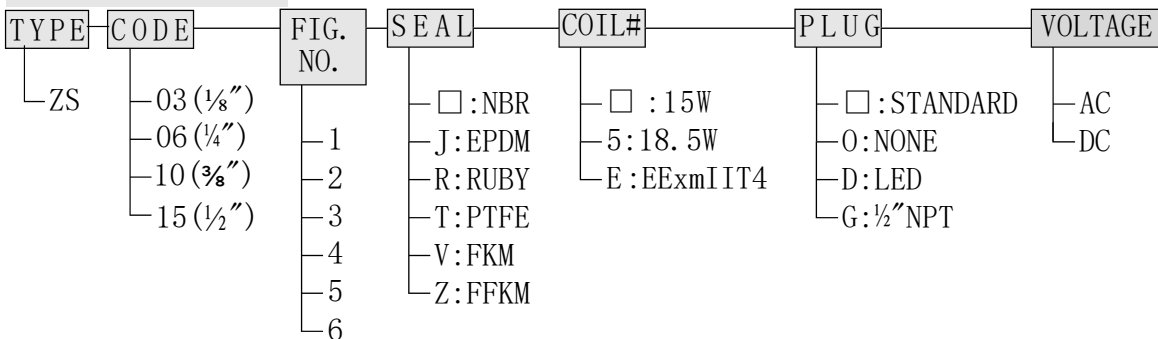
SPECIFICATIONS Forged Brass Body, For Water, Air, Gas, Light Oil (50cst down), Vacuum etc.

CODE (PIPE)	FIG. NO.	ORIFICE mm	SEAL	COIL	WORKING PRESSURE 0~ bar						Cv	Torr	
					#4		#5		#3E				
					AC	DC	AC	DC	AC	DC			
03 (1/8) 06 (1/4) 10 (3/8) 15 (1/2)	1	1.6	N J R T V Z	#4 、 #5 、 #3E	30	20	40	30	25	20	0.10	10 ⁻²	
	2	2.0			24	14	30	28	16	12			0.15
	3	2.5			17	10	24	20	10	8			0.20
	4	3.0			10	6	16	13	7	6	0.31		10 ⁻¹
	5	4.0			8	4	12	8	4.5	3.5	0.54		
	6	5.0			6	2	9	5	2.5	2	0.80		

☆ PTFE and Ruby seal have below 300cc/min. slight leakage, not suitable for vacuum.

☆ Max. Orifice: R=2.5mm/ T=4mm.

TYPE INDICATION (□ means standard)



EExmIIT4 Coil w/o LED Plug

Examples

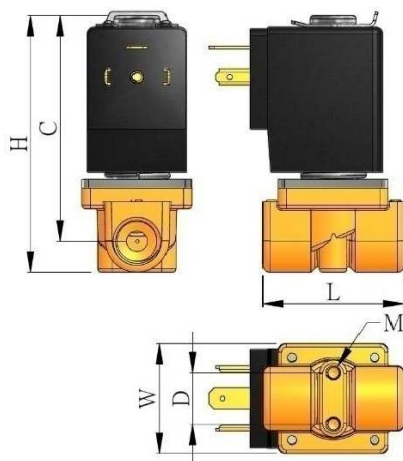
Example 1: ZS15-1-DC24V
 TYPE ZS ½ Pipe, Orifice 1.6 mm, NBR Seal, Nass #4 Coil, Standard Plug, DC24V

Example 2: ZS03-4-V-5-D-AC220V
 TYPE ZS ¼ Pipe, Orifice 3.0 mm, FKM Seal, Nass #5 COIL, LED Plug, AC220V

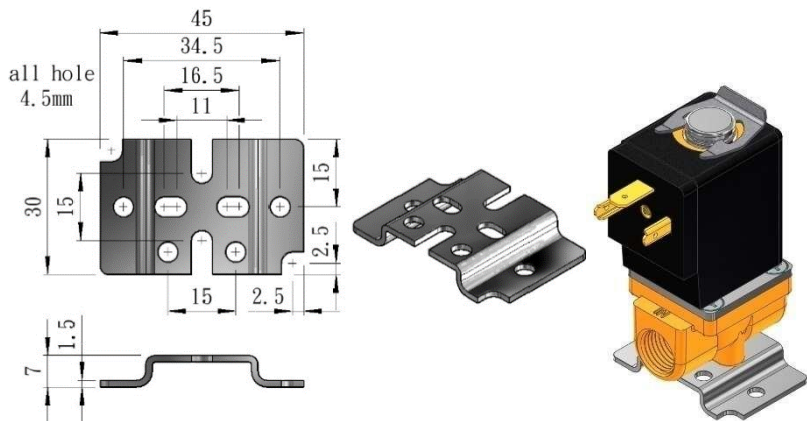
DIMENSIONS/WEIGHT

CODE (PIPE)	Size:mm								NET WEIGHT:kg		
	L	W			H	C	D	M	#4	#5	#3E
		#4	#5	#3E							
03 (¼")	41	32	36		74.5	66	16	M3	0.37	0.45	0.70
06 (¼")									0.36	0.44	0.69
10 (⅜")	51.5				80.5	68	19	M4	0.45	0.53	0.78
15 (½")									0.43	0.51	0.76

DIMENSIONED DRAWING



OPTION ACCESSORY 03/06 BRACKET



OPTION ACCESSORY 10/15 BRACKET

