

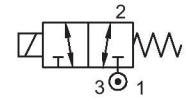
SERIES : 32D

3/2 DIRECT ACTING HIGH ORIFICE / UNIVERSAL SOLENOID VALVE

TYPE	PRESSURE

TYPE	PRESSURE

TYPE	PRESSURE
30334	0 - 10 bar



FEATURES

- Bubble tight shut off
- Mounts in any position
- Suitable for vacuum up to 10⁻⁶ torr
- Vibration resistance up to 9g
- Suitable for high speed cycling
- Speed up to 800 cycles/ min
- Life >10 million cycles
- Manual override can be provided optionally

WETTED PARTS

Code		B2	B5
Body		Brass	SS 316
Internals		Brass and SS 316	SS 316
Guide Assembly	SS 304		
Shadow-Ring	Copper/ Silver/ None		
Plunger, Insert	SS 430		
Spring	SS 302		
Seat, Seals	NBR, Viton, EPDM, Viton GLT, F.Silicon		
Fasteners	SS 304		

AMBIENT TEMPERATURE

-30 °C to 75 °C

SPECIAL VERSION AND SUFFIX

Suffix : (Valve) AM, WO
 Special version : (Solenoid) CO, FR, SS, LC, III

MEDIA

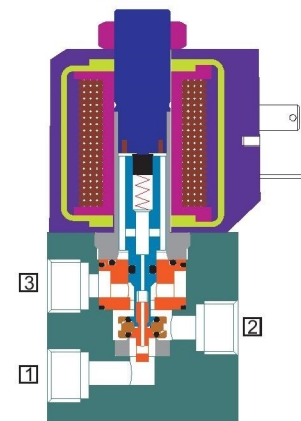
Air, Inert Gases, Water, Vacuum, Free Flowing Liquids, Oil, Diesel, Kerosene, LPG

APPLICATION

Single acting actuator/ Cylinder, control valve actuation.
 Diverting/ mixing of fluid, analyzer ESD

PORT CONNECTION

FUNCTION	INLET	OUTLET	EXHAUST
NC	1	2	3
NO	3	2	1
Mixing	1 and 3	2	
Diverting	2	1 and 3	



SPARES

(Refer page 25 for ordering code)

SPARE KIT	CODE
Seal Kit : Oring Set and Plunger Assembly	98
Repair Kit : Oring Set, Plunger Assembly, Springs, Manual Override, Guide Assembly	99
Solenoid Kit : Solenoid, Gasket and Nut	34

APPROVAL

(★ applied for)

Approval	TYPE 4X, 6P	IP67	Ex d IIC T4 or T5 or T6 IP66	Ex ia IIC T6 IP67	DGMS	CCOE
		✓	✓		✓	✓
		✓	✓			
	✓		*			
			✓			
			✓			
			✓			



For Valve type 30334 operated with AC voltage select Solenoid with in built full rectifier 'FR' option



3/2 DIRECT ACTING HIGH ORIFICE UNIVERSAL SOLENOID VALVE

SPECIFICATION

PORT CONNECTION			PRE-SSURE bar		ORIFICE (mm)	FLOW FACTOR kv (LPM OF WATER @ 1 bar ΔP)	VALVE TYPE	PILOT PRESSURE	BODY MATERIAL AND INTERNALS				SEALS			MANUAL OVERRIDE		SOLENOID ENCLOSURE				SUFFIX		POWER VA		CONSTRUCTION REFERENCE NUMBER			
SIZE	BSP(F)	NPT(F)	MINIMUM	MAXIMUM					ALUMINIUM	ALUMINIUM + SS	BRASS (STD. PORT NPT)	SS 316/CF8	SS 316/CF8 (STD. PORT NPT)	NBR	Viton	EPDM	Viton GLT	F.Silicon	NIL	STAYPUT CUM MOMENTARY	FLYING LEAD	PLUG IN, IP67	SQ. PLUG IN, IP67	TERMINAL BOX IP67	EXPLOSION PROOF, IIC, IP67		LARGE ENCLOSURE	SOLENOID SIZE	OXYGEN
3/2 UNIVERSAL																													
1/4"	2G	2R	0	10	5	5	30334			B2	B5	×	S2	S2GS19	×	M6	M8	22	25	T	E	III	14			8	8	8	325A
1/2"	4G	4R	0	10	7	11	30334			B2	B5	×	S2	S2GS19	×	M6	M8	22	25	T	E		18			13	13	13	325B
			0	10	10	24	30334			B2	B5	×	S2	S2GS19	×	M6	M8	22	25	T	E		18			13	13	13	325C

Cable Entry	T	E	
		Ex d	Ex emb
M20 x 1.5	19	39 87MS	58MS 58LTMS
M25 x 1.5		87	58 58LT
1/2" NPT	16	37 87NS	58NS 58LTNS

× = Do not specify when opted for. Refer Page # 22 for Value of ×
 ✓ = Options available

ORDERING CODE AND EXAMPLE VALVE + SOLENOID

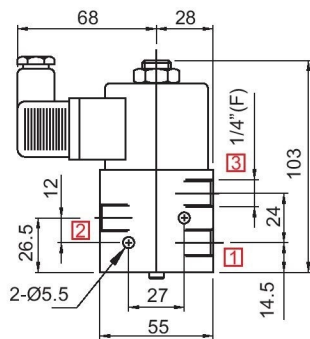
TYPE – SUFFIX – ORIFICE – PORT CONNECTION – BODY AND INTERNALS – MANUAL OVERRIDE – SEAL + SIZE – VOLTAGE – CURRENT – SOLENOID ENCLOSURE – APPROVAL – INSULATION – SPECIAL VERSION
 e.g. 30334-5-2R-B5-S2+220V AC-37-01-FR

DIMENSIONS

All Dimensions are in mm

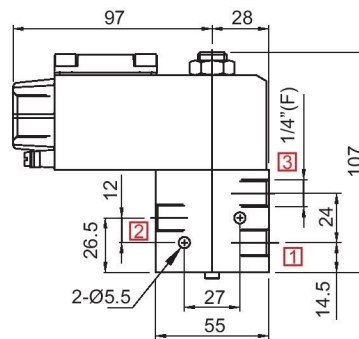
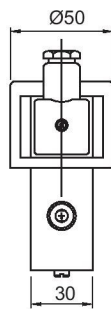
CONSTRUCTION REFERENCE : 325A

VALVE TYPE : 30334



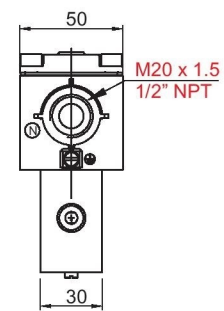
MANUAL OVERRIDE OPTIONALLY PROVIDED

PLUG IN SOLENOID TYPE 22/ 25



MANUAL OVERRIDE OPTIONALLY PROVIDED

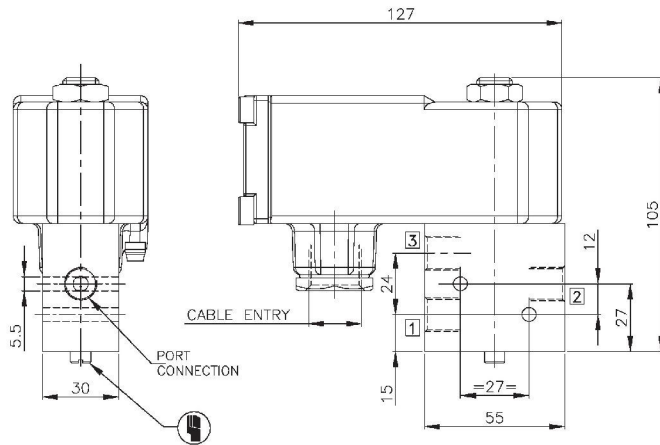
TERMINAL BOX/ Ex d/ LARGE ENCLOSURE, TYPE 16, 19, 37, 39, 58, 58LT



3/2 DIRECT ACTING, HIGH ORIFICE, UNIVERSAL SOLENOID VALVE

VALVE TYPE : 30334-5

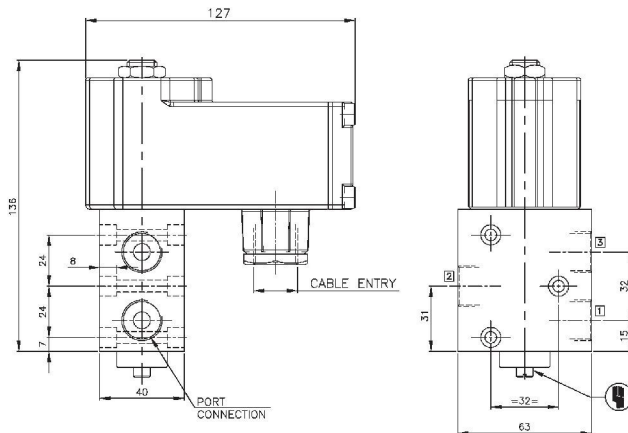
CONSTRUCTION REFERENCE : 325A



BCE SOLENOID/ Ex d TYPE 87

VALVE TYPE : 30334-7

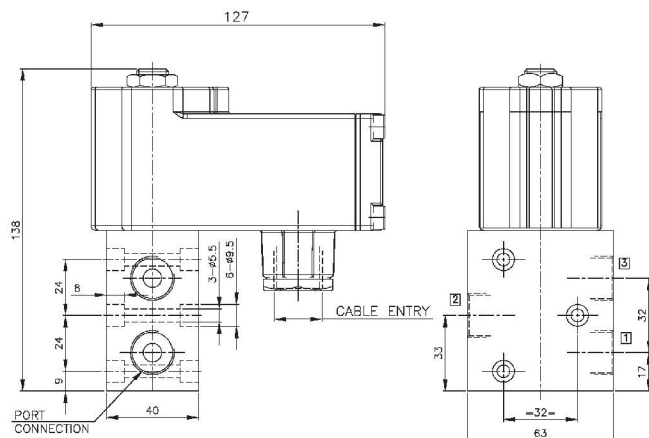
CONSTRUCTION REFERENCE : 325B



BCE SOLENOID/ Ex d TYPE 87

VALVE TYPE : 30334-10

CONSTRUCTION REFERENCE : 325C



BCE SOLENOID/ Ex d TYPE 87

Specifications are subject to change without notice.