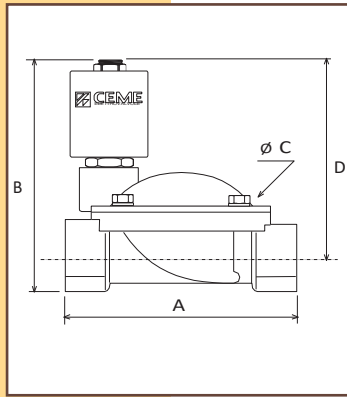


CARATTERISTICHE SPECIFICATIONS



ATTACCHI PIPES in --> out	Ø mm	CODICE CODE	KV m <sup>3</sup> /h	M.O.P.D. bar		DIMENSIONI / DIMENSIONS mm				PESO / WEIGHT Kg
				AC	DC	A	B	C	D	
G 3/8	10	8613	1.86	10	10	61	89	48	77	0.540
G 1/2	12	8614	2.10	10	10	61	89	48	77	0.500
G 3/4	20	8615	5.70	10	10	87	101	69	84	0.800
G 1	25	8616	9.60	10	10	100	106	80	86	1.100
G 1 1/4	32	8617	22.00	10	10	131	122	112	95	2.500
G 1 1/2	39	8618	27.00	10	10	146	128	128	98	3.000
G 2	51	8619	35.00	10	10	174	145	146	108	4.600
G 2 1/2	65	8620	63.00	10	10	245	180	184	134	9.400
G 3	75	8621	83.00	10	10	250	190	184	139	11.230
3/8 NPT	12	8623	2.10	10	10	61	89	48	77	0.540
1/2 NPT	12	8624	2.10	10	10	69	89	48	77	0.510
3/4 NPT	20	8625	5.70	10	10	87	101	69	84	0.800
1 NPT	25	8626	9.60	10	10	108	106	80	86	1.130

CARATTERISTICHE ELETTRICHE  
ELECTRICAL INFORMATION

POTENZA/POWER  
NOMINALE HOLDING SPUNTO IN RUSH

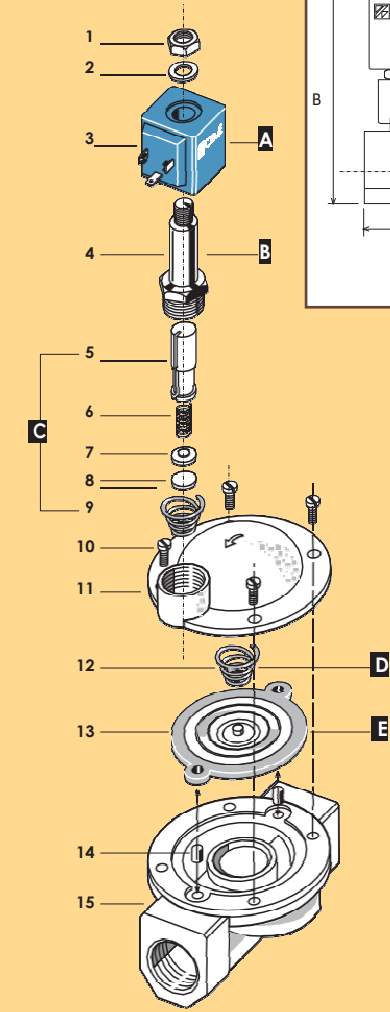
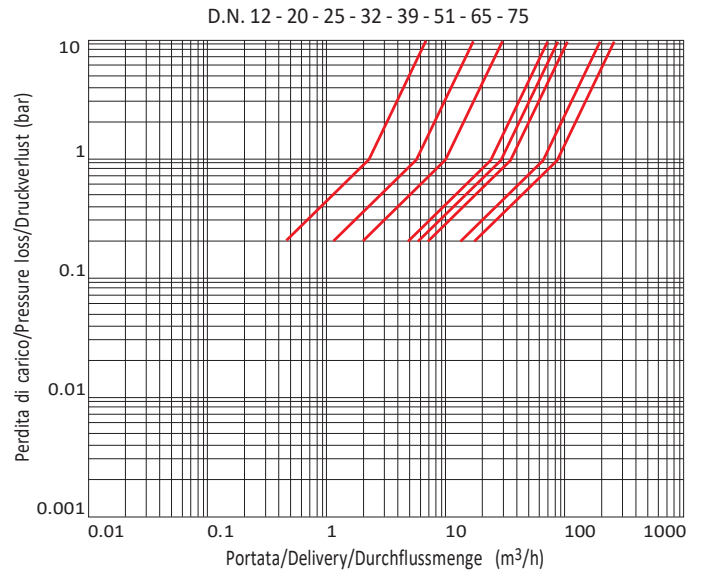
V~	12 24 48 110 230 400	50 60 Hz	11VA	24VA
V=	12 24 48 110		16W	

Per dettagli costruttivi sulle bobine vedi capitolo "INFORMAZIONI DI PROGETTO"  
For construction details of the coils see chapter "PROJECT INFORMATION"  
Ausführliche Daten über die Ventilspulen finden Sie unter Abschnitt "TECHNISCHE INFORMATIONEN"

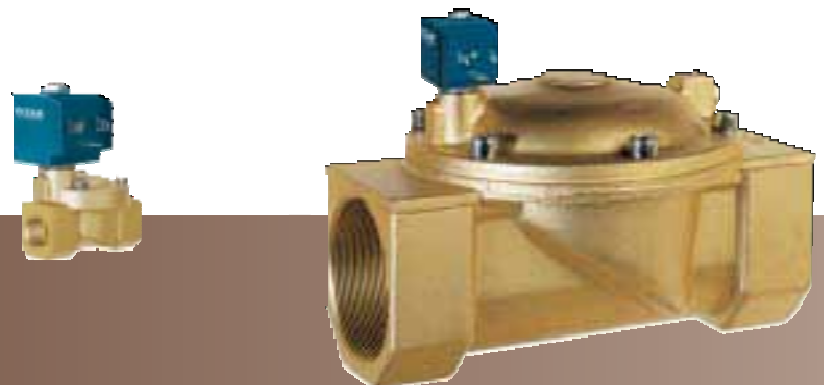
MAX TEMPERATURA MAX TEMPERATURE

FLUIDI / FLUIDS				AMBIENTE / AMBIENT
NBR	EPDM	EPDM-KTW	FPM	80°C
90°C	130°C	130°C	150°C	

DIAGRAMMA PERDITA DI CARICO PRESSURE LOSS DIAGRAM



1	Dado	Lock nut	Mutter
2	Rondella	Washer	Beilagscheibe
3	Bobina	Coil	Magnetspule
4	Cannotto	Tube guide	Plungerrohr
5	Nucleo mobile	Plunger	Plunger
6	Molla	Spring	Feder
7	Piattello	Support	Scheibe
8	Pastiglia	Seal	Dichtung
9	Molla	Spring	Feder
10	Vite	Screw	Schraube
11	Coperchio	Valve body top	Deckel
12	Molla	Spring	Feder
13	Membrana	Diaphragm	Membrane
14	Bussola	Bush	Buchse
15	Corpo	Valve body base	Grundkörper
<b>RICAMBI SPARE PARTS ERSATZTEILE</b>			
A	Bobina	Coil	Magnetspule
B	Cannotto	Tube guide	Plungerrohr
C	Nucleo mobile	Plunger	Plunger
D	Molla	Spring	Feder
E	Membrana	Diaphragm	Membrane



# Type 86