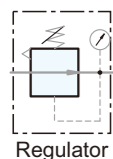


Symbol



Features

1. Accurate and easy pressure setting.
2. Panel mounting is available.
3. The function of anti-backflow is optional.



How to order

UR201	02	N	B	G	V
Miniature Regulator	Port size	Thread	Mounting bracket	Pressure gauge	Function option
	01 : 1/8" 02 : 1/4"	Blank : G N : NPT R : Rc	Blank : W/O bracket B : W/I bracket	Blank : W/O gauge G : W/I gauge	Blank : Relief V : No-Relief

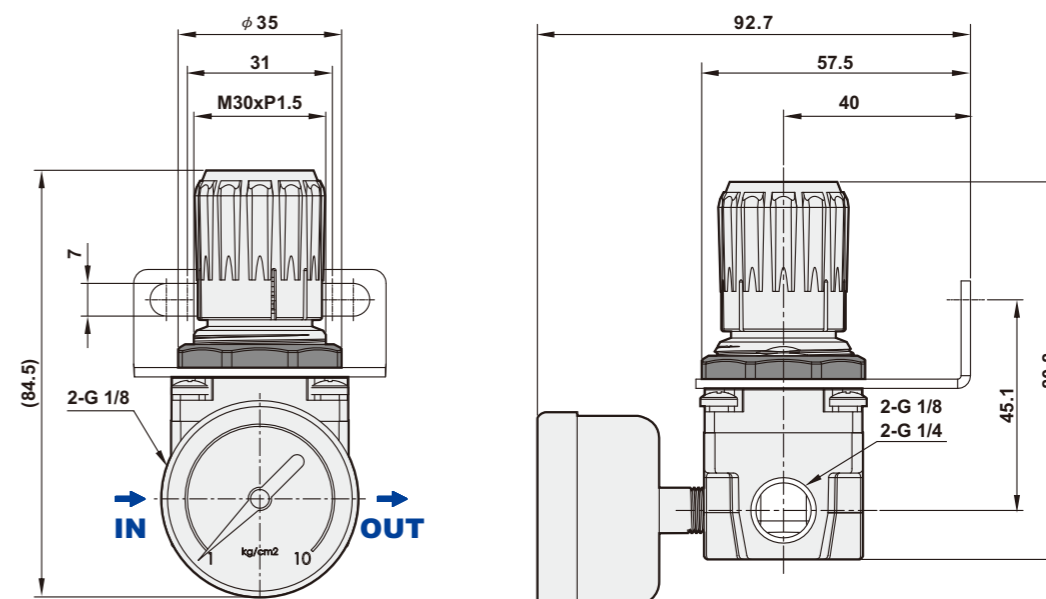
*For non-relieving type, the secondary pressure is not allowed to be exhausted when it is higher than setting pressure.

Specifications

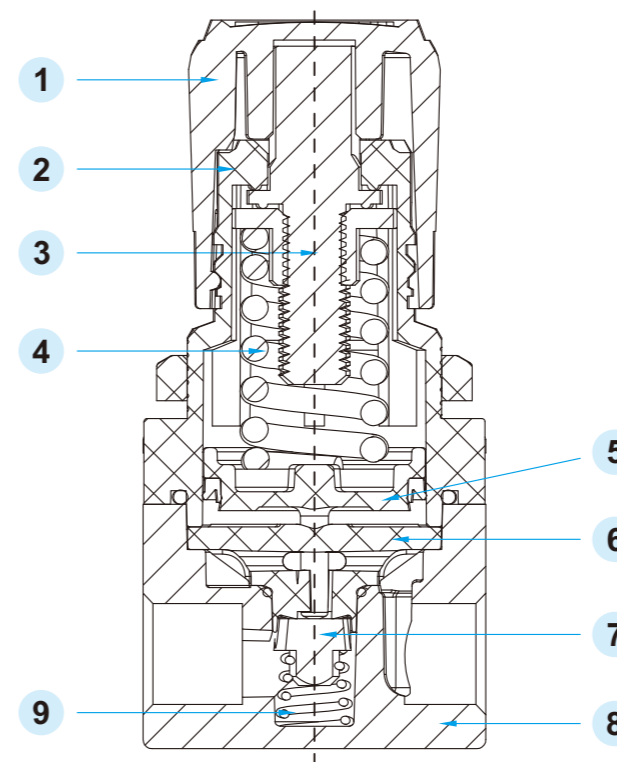
Model	UR201-01	UR201-02
Port size	1/8" , 1/4"	
Fluid	Compressed air	
Regulator construction	Piston	
Body material	Aluminum die-cast (ADC12)	
Operating pressure range	0.5 ~ 8 kgf/cm ²	
Max. inlet pressure	9.9 kgf/cm ²	
Max. flow rate l/min (ANR)	500	600
Ambient temperature	-10°C ~ 60°C	
Net weight	180g	
Accessories	Plug	
Option	Pressure gauge, Mounting bracket set	

Dimensions

UR201-01, 02



Construction



No.	Description	Material
1	Regulator knob	POM
2	Regulator base	POM
3	Pressure regulating screw	Fe+Ni
4	Spring	SWP-B
5	Piston	POM
6	Piston holder	POM
7	Regulator stem	NBR
8	Body	ADC12
9	Spring	SUS