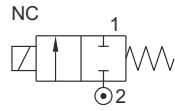


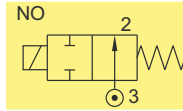
**SERIES : 32D**

**3/2 DIRECT ACTING HIGH ORIFICE/ UNIVERSAL SOLENOID VALVE**

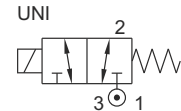
| TYPE  | PRESSURE   |
|-------|------------|
| 20106 | 0 - 10 bar |
| 20105 | 0 - 10 bar |



| TYPE  | PRESSURE   |
|-------|------------|
| 20206 | 0 - 10 bar |
| 20205 | 0 - 10 bar |



| TYPE  | PRESSURE   |
|-------|------------|
| 30308 | 0 - 10 bar |
| 30309 | 0 - 10 bar |
| 30329 | 0 - 16 bar |
| 30333 | 0 - 10 bar |



**FEATURES**

- Bubble tight shut off
- Mounts in any position
- Suitable for vacuum up to 10<sup>-6</sup> torr
- Vibration resistance up to 9g
- Suitable for high speed cycling
- Speed up to 800 cycles/ min
- Life >10 million cycles
- Manual override optionally provided

**WETTED PARTS**

| Code            | ※                               | B1                 | B2               | B5     |
|-----------------|---------------------------------|--------------------|------------------|--------|
| Body            | Anodized Aluminium              | Anodized Aluminium | Brass            | SS 316 |
| Internals       | Aluminium, Brass and SS 316     | SS 316             | Brass and SS 316 | SS 316 |
| Guide Assembly  | SS 304                          |                    |                  |        |
| Shadow-Ring     | Copper/Silver/ None             |                    |                  |        |
| Plunger, Insert | SS 430                          |                    |                  |        |
| Spring          | SS 302                          |                    |                  |        |
| Seat, Seals     | NBR, Viton, Viton GLT, FSilicon |                    |                  |        |
| Fasteners       | SS 304                          |                    |                  |        |

**AMBIENT AND FLUID TEMPERATURE**

-20 °C to 80 °C

**SPECIAL VERSIONS AND SUFFIX**

Suffix : (Valve) AM, WO  
Special versions : (Solenoid) CO, FR, SS, LC, III

**MEDIA**

Air, Inert Gases, Water, Vacuum, Free Flowing Liquids, Oil, Diesel, Kerosene, LPG

**APPLICATION**

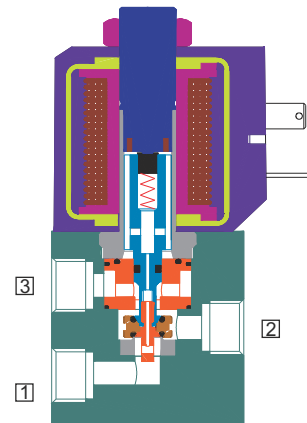
Single acting actuator/ Cylinder, control valve actuation.  
Diverting/ mixing of fluid, analyzer, ESD

**PORT CONNECTION**

| FUNCTION  | INLET   | OUTLET  | EXHAUST |
|-----------|---------|---------|---------|
| NC        | 1       | 2       | 3       |
| NO        | 3       | 2       | 1       |
| Mixing    | 1 and 3 | 2       |         |
| Diverting | 2       | 1 and 3 |         |

Contact Rotex for

- Any other ambient, fluid temperature, media and application
- UL listed, Listed general purpose Valve
- SIL4 approved valve



**SPARES**

(Refer page 25 for ordering code)

| SPARE KIT  | CODE |
|--|------|
| Seal Kit : Oring Set and Plunger Assembly                                    | 98   |
| Repair Kit : Oring Set, Plunger Assembly, Fastener, Springs, Manual Override | 99   |
| Solenoid Kit : Solenoid, Gasket and Nut                                      | 34   |

**APPROVAL**

(★ applied for)

| Approval | Nema 4X | IP67 | Ex d IIC T4 or T5 or T6 IP66 | Ex ia IIC T6 IP67 | DGMS | CCOE |
|----------|---------|------|------------------------------|-------------------|------|------|
|          |         | ✓    | ✓                            | ✓                 | ✓    | ✓    |
|          |         | ✓    | ✓                            | ✓                 |      |      |
|          | ✓       |      | *                            |                   |      |      |
|          |         |      | ✓                            | ✓                 |      |      |
|          |         |      | ✓                            | ✓                 |      |      |
|          |         |      | ✓                            | ✓                 |      |      |



- Valve type 30309 and 30329 does not have shadowring
- Plugging exhaust port, Can be used as bi directional, 2/2 NC type 20105, 20106, 30329TC or 2/2 NO type 20205, 20106, 30329TO
- For Valve type 30308 and 30333 operated with AC voltage select in built full rectifier 'FR' option



## 3/2 DIRECT ACTING HIGH ORIFICE/ UNIVERSAL SOLENOID VALVE

### SPECIFICATION

| PORT CONNECTION |        |        | PRE-SSURE bar |         | ORIFICE (mm) | FLOW FACTOR kv (LPM OF WATER @ 1 bar ΔP) | VALVE TYPE | PILOT PRESSURE | BODY MATERIAL AND INTERNALS |                |                      |                             |     | SEALS |      |           | MANUAL OVERRIDE |     | SOLENOID ENCLOSURE    |             |               |                   | SUFFIX            |                               | POWER VA        |               | CONSTRUCTION REFERENCE NUMBER |
|-----------------|--------|--------|---------------|---------|--------------|--|------------|----------------|-----------------------------|----------------|----------------------|-----------------------------|-----|-------|------|-----------|-----------------|-----|-----------------------|-------------|---------------|-------------------|-------------------|-------------------------------|-----------------|---------------|-------------------------------|
| SIZE            | BSP(F) | NPT(F) | MINIMUM       | MAXIMUM |              |  |            |                | ALUMINIUM                   | ALUMINIUM + SS | BRASS (STD PORT NPT) | SS 316/CF8M (STD. PORT NPT) | NBR | Viton | EPDM | Viton GLT | F Silicon       | NIL | STAYPUT CUM MOMENTARY | FLYING LEAD | PLUG IN, IP67 | SQ. PLUG IN, IP67 | TERMINAL BOX IP67 | FPJB Ex d IIC, T4 OR T6, IP67 | LARGE ENCLOSURE | SOLENOID SIZE |                               |

#### 3/2 UNIVERSAL

|      |    |    |                            |              |               |               |               |              |               |                |                |              |               |               |              |               |              |              |             |               |              |              |               |               |               |                |     |
|------|----|----|----------------------------|--------------|---------------|---------------|---------------|--------------|---------------|----------------|----------------|--------------|---------------|---------------|--------------|---------------|--------------|--------------|-------------|---------------|--------------|--------------|---------------|---------------|---------------|----------------|-----|
| 1/4" | 2G | 2R | 0 10 5 8 30308             | ×            | B1            | B2            | B5            | ×            | S2            | S2G            | S19            | ×            | M6            | M8            | F            | 22            | 25           | T            | E           | III           | 14           | ✓            | ✓             | 18            | 12            | 8              | 323 |
|      |    |    | 0 10 7 14 30309            | ×            | B1            | B2            | B5            | ×            | S2            | S2G            | S19            | ×            | M6            | M8            | F            | 25            | T            | E            |             | 18            | ✓            | ✓            | 13            | 13            | 13            | 324            |     |
|      |    |    | 0 16 7 12 30329            | ×            | B1            | B2            | B5            | ×            | S2            | S2G            | S19            | ×            | M6            | M8            | F            | 25            | T            | E            |             | 18            | ✓            | ✓            | 13            | 13            | 13            | 324            |     |
| 3/8" | 3G | 3R | 0 10 7 14 30309            | ×            | B1            | B2            | B5            | ×            | S2            | S2G            | S19            | ×            | M6            | M8            | F            | 25            | T            | E            | III         | 14            | ✓            | ✓            | 18            | 12            | 8             | 324            |     |
|      |    |    | 0 10 10 30 30309           | ×            | B1            | B2            | B5            | ×            | S2            | S2G            | S19            | ×            | M6            | M8            | F            | 25            | T            | E            |             | 18            | ✓            | ✓            | 13            | 13            | 13            | 325            |     |
|      |    |    | <del>0 16 7 12 30329</del> | <del>×</del> | <del>B1</del> | <del>B2</del> | <del>B5</del> | <del>×</del> | <del>S2</del> | <del>S2G</del> | <del>S19</del> | <del>×</del> | <del>M6</del> | <del>M8</del> | <del>F</del> | <del>25</del> | <del>T</del> | <del>E</del> | <del></del> | <del>18</del> | <del>✓</del> | <del>✓</del> | <del>13</del> | <del>13</del> | <del>13</del> | <del>324</del> |     |
| 3/8" | 3G | 3R | 0 10 5 8 30333             |              |               | B2            | B5            | ×            | S2            | S2G            | S19            | ×            | M6            | M8            | F            | 22            | 25           | T            | E           |               | 14           | ✓            | ✓             | 18            | 12            | 8              | 223 |
|      |    |    | 0 16 7 12 30329            | ×            | B1            | B2            | B5            | ×            | S2            | S2G            | S19            | ×            | M6            | M8            | F            | 25            | T            | E            |             | 18            | ✓            | ✓            | 13            | 13            | 13            | 324            |     |
|      |    |    | 0 16 10 25 30329           | ×            | B1            | B2            | B5            | ×            | S2            | S2G            | S19            | ×            | M6            | M8            | F            | 25            | T            | E            |             | 18            | ✓            | ✓            | 13            | 13            | 13            | 325            |     |
| 1/2" | 4G | 4R | 0 10 5 8 30333             |              |               | B2            | B5            | ×            | S2            | S2G            | S19            | ×            | M6            | M8            | F            | 22            | 25           | T            | E           |               | 14           | ✓            | ✓             | 13            | 12            | 8              | 223 |
|      |    |    | 0 10 10 30 30309           | ×            | B1            | B2            | B5            | ×            | S2            | S2G            | S19            | ×            | M6            | M8            | F            | 25            | T            | E            |             | 18            | ✓            | ✓            | 13            | 13            | 13            | 325            |     |
|      |    |    | 0 16 10 25 30329           | ×            | B1            | B2            | B5            | ×            | S2            | S2G            | S19            | ×            | M6            | M8            | F            | 25            | T            | E            |             | 18            | ✓            | ✓            | 13            | 13            | 13            | 325            |     |

|             |    |    |                  |    |                                 |
|-------------|----|----|------------------|----|---------------------------------|
| Cable Entry | T  | E  | F                | ×  | = Do not specify when opted for |
| M20 x 1.5   | 19 | 39 | Flying lead IP54 | ×  | ✓ = Options available           |
| 1/2" NPT    | 16 | 37 | Flying lead IP67 | 01 |                                 |

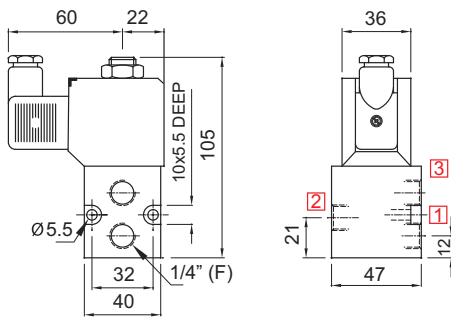
### ORDERING CODE AND EXAMPLE VALVE + SOLENOID

TYPE - SUFFIX - ORIFICE - PORT CONNECTION - BODY AND INTERNALS - MANUAL OVERRIDE - SEAL + SIZE - VOLTAGE - CURRENT - SOLENOID ENCLOSURE - APPROVAL - INSULATION - SPECIAL VERSION  
 e.g. 30309-7-2G+110V DC; 30308-5-2R-B5-S2+220V 50Hz-37-III-FR

### DIMENSIONS

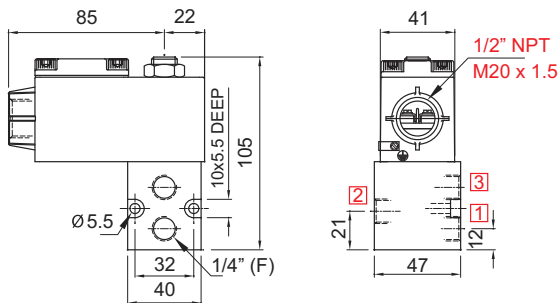
All Dimensions are in mm

#### CONSTRUCTION REFERENCE : 323



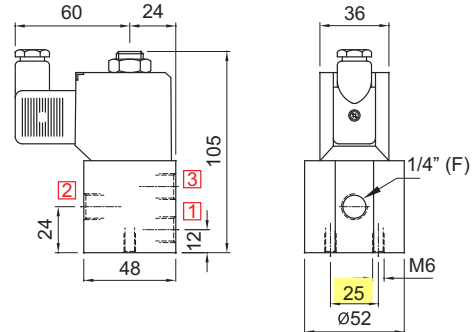
PLUG IN SOLENOID TYPE 22

#### CONSTRUCTION REFERENCE : 323



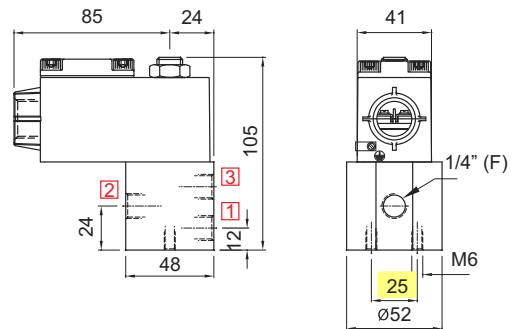
TERMINAL BOX/ Ex d/ TYPE 16, 19, 37, 39

#### VALVE TYPE : 30308 WITH SS BODY



PLUG IN SOLENOID TYPE 22

#### VALVE TYPE : 30308 WITH SS BODY



TERMINAL BOX/ Ex d/ TYPE 16, 19, 37, 39

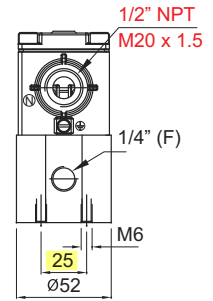
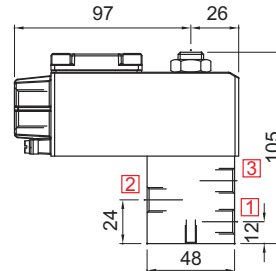
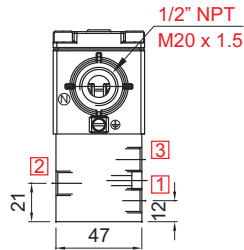
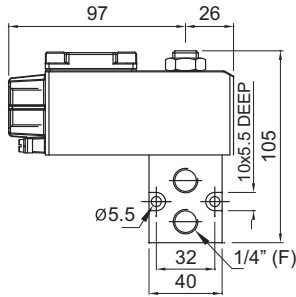
**3/2 DIRECT ACTING HIGH ORIFICE/ UNIVERSAL SOLENOID VALVE**

**DIMENSIONS** All Dimensions are in mm

**CONSTRUCTION REFERENCE : 323**

**VALVE TYPE : 30308**

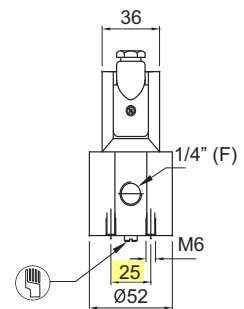
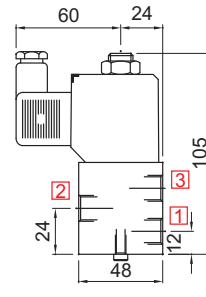
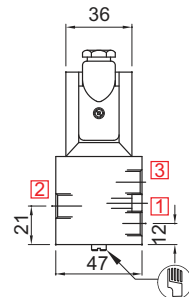
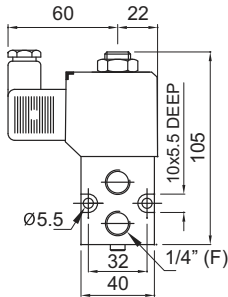
**Valve Type : 30308 Body Stainless Steel and Large Enclosure**



TERMINAL BOX/ EX d/ LARGE ENCLOSURE,  
TYPE 16, 19, 37, 39, LC

TERMINAL BOX/ EX d/ LARGE ENCLOSURE,  
TYPE 16, 19, 37, 39, LC

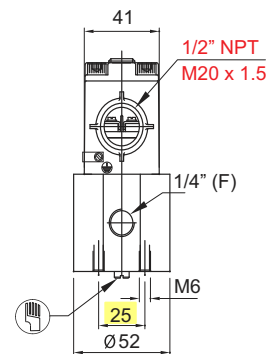
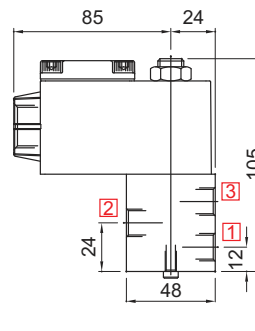
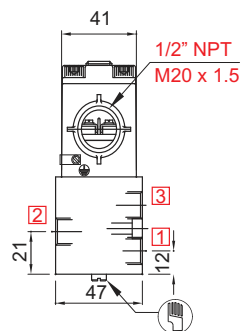
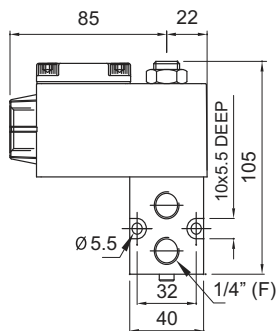
**CONSTRUCTION REFERENCE : 323**



PLUG IN SOLENOID TYPE 22/ 25

PLUG IN SOLENOID TYPE 22/ 25

**CONSTRUCTION REFERENCE : 323**



TERMINAL BOX/ Ex d/ TYPE 16, 19, 37, 39

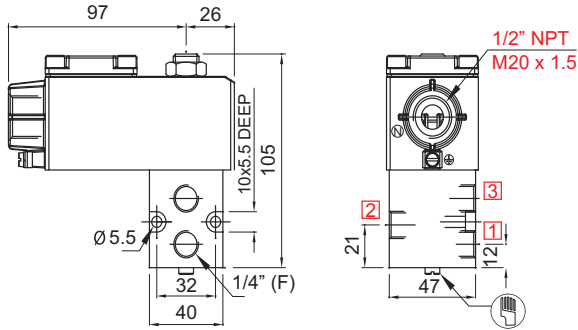
TERMINAL BOX/ Ex d/ TYPE 16, 19, 37, 39



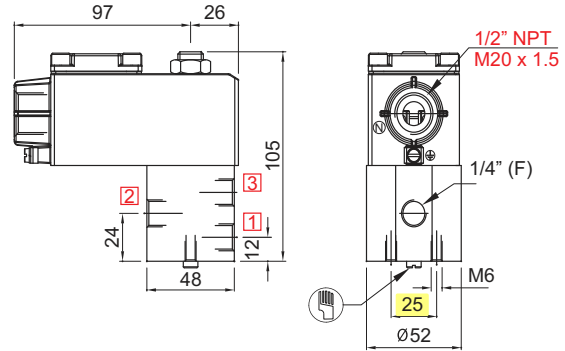
**3/2 DIRECT ACTING HIGH ORIFICE / UNIVERSAL SOLENOID VALVE**

**DIMENSIONS** All Dimensions are in mm

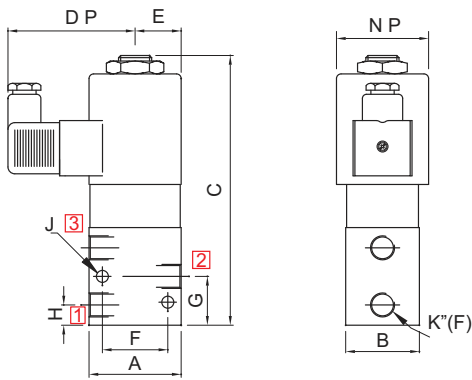
**CONSTRUCTION REFERENCE : 323**



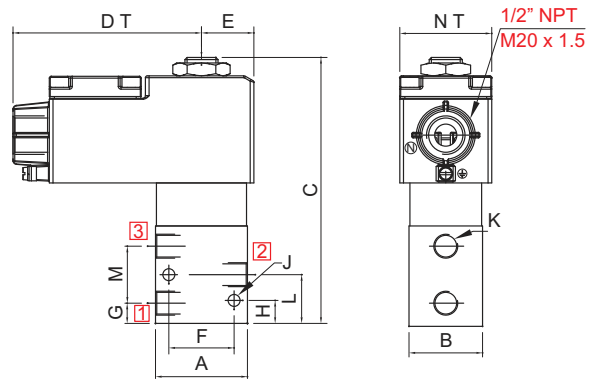
TERMINAL BOX/ Ex d/ LARGE ENCLOSURE, TYPE 16, 19, 37, 39, LC



TERMINAL BOX/ Ex d/ LARGE ENCLOSURE, TYPE 16, 19, 37, 39, LC



PLUG IN SOLENOID TYPE 25

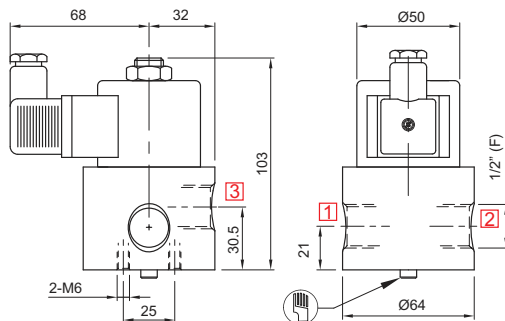


TERMINAL BOX/ Ex d/ TYPE 16, 17, 37, 39

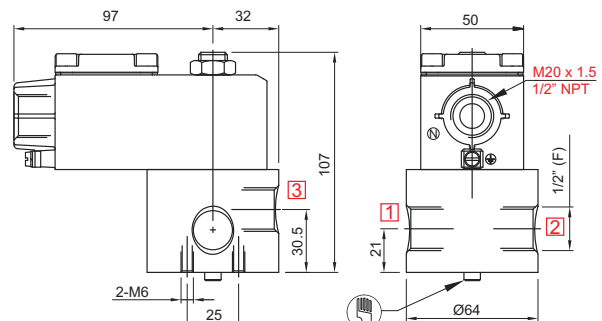
| NW                               | K (PORT SIZE) | A  | B  | C   | DP | DT  | E  | F  | G  | H  | J   | L  | M  | N   | P   | NT | CONST. REF. |
|----------------------------------|---------------|----|----|-----|----|-----|----|----|----|----|-----|----|----|-----|-----|----|-------------|
| <b>VALVE TYPE : 30309, 30329</b> |               |    |    |     |    |     |    |    |    |    |     |    |    |     |     |    |             |
| 7                                | 1/4", 3/8"    | 50 | 40 | 146 | 69 | 103 | 25 | 36 | 27 | 11 | 6.5 | 27 | 31 | Ø50 | M50 |    | 324         |
| 10                               | 3/8", 1/2"    | 60 | 50 | 160 | 69 | 103 | 30 | 38 | 35 | 16 | 6.5 | 35 | 36 | Ø50 | M50 |    | 325         |

**CONSTRUCTION REFERENCE : 223**

**VALVE TYPE 30333**



PLUG IN SOLENOID TYPE 25/ 22



TERMINAL BOX/ Ex d/ LARGE ENCLOSURE, TYPE 16, 19, 37, 39

7

