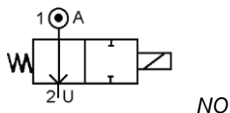


Media: air – water – light oil – vacuum 10^{-3}
 Pressure range: 0 to 10 Bar max
 Media temperature: 130° C max
 Ambient temperature: -5° to +60° C max
 Media viscosity: 20 centistokes max
 Mounting: coil upright



2/2 Brass

3/8 – 2"

NORMALLY OPEN 2 WAY ZERO RATED

0 – 10 Bar

TYPE UWNO



PRESSURE

Ø Port BSP	Ø Orifice (mm)	Flow Kv Ltr/Min	Pressure Rating (Bar) ΔP			Max Working	Seals	Max Media Temp. °C	Part Number
			Min	Max DC	Max AC				
3/8	15	64.4	0	5	7	10	NBR FKM SILICONE	80 120 130	UW10NON + voltage UW10NOV + voltage UW10NOS + voltage
1/2	15	64.4	0	5	7	10	NBR FKM SILICONE	80 120 130	UW15NON + voltage UW15NOV + voltage UW15NOS + voltage
3/4	20	123	0	5	7	10	NBR FKM SILICONE	80 120 130	UW20NON + voltage UW20NOV + voltage UW20NOS + voltage
1	25	171.6	0	5	7	10	NBR FKM SILICONE	80 120 130	UW25NON + voltage UW25NOV + voltage UW25NOS + voltage
1 1/4	35	343.2	0	5	7	10	NBR FKM SILICONE	80 120 130	UW35NON + voltage UW35NOV + voltage UW35NOS + voltage
1 1/2	40	400.4	0	5	7	10	NBR FKM SILICONE	80 120 130	UW40NON + voltage UW40NOV + voltage UW40NOS + voltage
2	50	686.4	0	5	7	10	NBR FKM SILICONE	80 120 130	UW50NON + voltage UW50NOV + voltage UW50NOS + voltage

OPTIONS

IP65 Coil & Connector PG9 – DIN 43650 A NPT + BSPT	Included
---	-----------------

ELECTRICAL DATA

Voltage (AC -10% + 10%) (DC -1% + 1%) Continuous duty 90%	Coil	Power Consumption (Amp)			Insulation class	Enclosure	Electrical connections
		24vDC	110vAC	230vAC			
~ 110 – 230 (50 or 60 Hz)	M		0.19	0.1	F 155°C	IP 65 with connector	3 spades DIN 43650 DIN 40050 VDE 0110
= 24 (DC)		0.95					

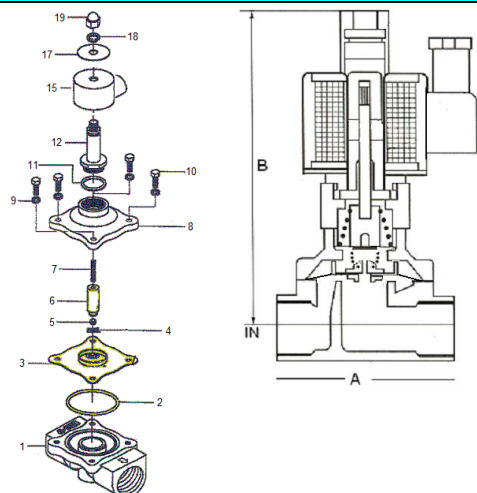
CONSTRUCTION

Body: up to 1" Forged Brass 1 1/4 – 2" Cast Bronze body
 Tube and internal parts: Stainless steel
 Seals and gaskets: NBR (Optional FKM or Silicone)
 Moulded coil: Resin

REPAIR KIT

Diaphragm seal	UW + orifice + seal material
Coil	M + voltage
Armature assembly	SP + Valve Part Number -ARMATURE

OVERALL DIMENSIONS



Model	UW10	UW15	UW20	UW25	UW35	UW40	UW50
Port R	3/8	1/2	3/4	1	1 1/4	1 1/2	2
A	70	70	73	93	125	125	167
B	126	132	139	154	156	175	175
Width	56.5	56.5	78	78	94	94	120
Kg	1.1	1.1	1.2	1.8	3.2	3.5	5.4