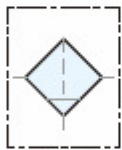


Symbol



Filter

Features

- * Remove water and particle effectively.
- * 40 μ m and 5 μ m filter element are easily interchangeable and replaceable.



How to order

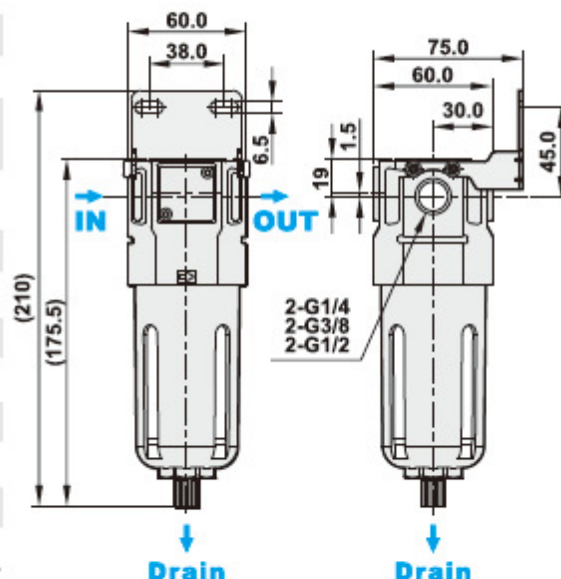
NUF	-	02	N	C	D	A
Filter		Port size	Thread	Filtration	Drain	Bowl
		02 1/4"	Blank G	PE	Blank Semi-auto drain	Blank Standard bowl
		03 3/8"	N NPT	Blank 5 μ m	H Manual drain	A Anti-acid & alkali bowl
		04 1/2"	R Rc	C 40 μ m	D Auto drain	AL Aluminum bowl (1/4"~1/2")
				Sintered brass		
				S 5 μ m		
				T 40 μ m		

Specifications

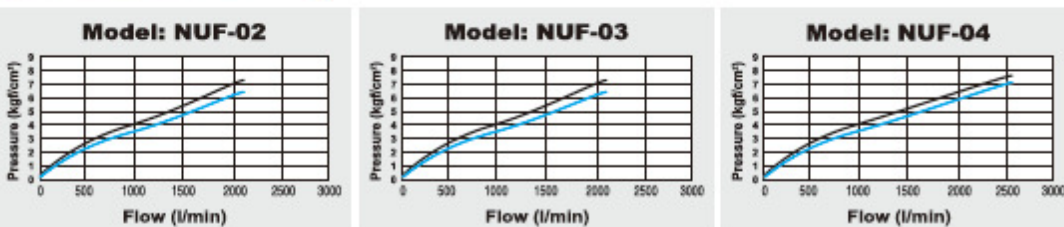
Model	NUF-02	NUF-03	NUF-04
Port size	1/4"	3/8"	1/2"
Fluid	Compressed air		
Body material	Aluminum die-cast		
Bowl material	Polycarbonate (Standard), Anti-acid & alkali bowl Option, Aluminum bowl (Option)		
Filtration	PE: 5 μ m (Standard), 40 μ m (Option) Sintered brass (Option): 5 μ m, 40 μ m		
Operating pressure range	0.5 ~ 10 kgf/cm ²		
Proof pressure (Standard bowl)	15 kgf/cm ²		
Max. flow rate l/min (ANR)	2440	2450	3030
Ambient temperature	-10 $^{\circ}$ C ~ 60 $^{\circ}$ C		
Filter bowl capacity	105cc		
Standard drain	Semi-auto drain (Drains below 0.5kgf/cm ²)		
Net weight	480g (W/I Aluminum bowl 700g)		
Accessories	Mounting bracket, Screw x 4		

Dimensions

NUF-02, 03, 04



Flow chart



Note:

- X axis: Flow (l/min)
- Y axis: Pressure (kgf/cm²)
- Blue line (P0)= Outlet pressure
- Black line (P1)= Inlet pressure
- P1-P0= Pressure range