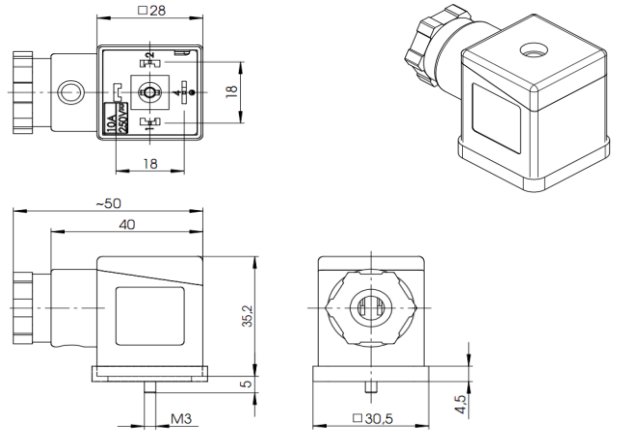


# Connector, form A, analogue with EN 175301-803 (ISO 4400)

## Housing

Type two-piece  
 Color black, with milky cover  
 Material PA6 GF30 / PA6 GF20  
 Imprint circuit diagram; black; top side



## Cable gland

Thread M20 x 1,5 mm  
 Cable diameter 6-8 mm  
 Color black  
 Material PA6 GF30  
 Tightening torque 1,8 ± 0,2 Nm

## Terminal block

Material PA6 GF30  
 Poles 2 + PE  
 Direction of protecting earth 12 h  
 Contact distance 18 mm

## Contacts

Material CuZn, tin-plated  
 Resistance < 15 mOhm  
 Conductor cross-section 0,5 - 1,5 mm<sup>2</sup>  
 Tightening torque 0,2 + 0,1 Nm  
 Wire protection with protection element

## Gasket

Material NBR, black  
 Type profile

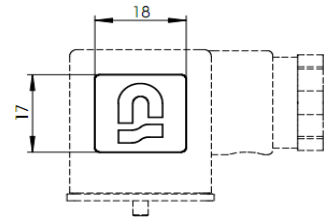
## Fastening screw

Material steel 4.8, zinc-plated  
 Size M3 x 37,5 mm (with cross recess)  
 Tightening torque 0,4 ± 0,1 Nm  
 Sealing washer n/a

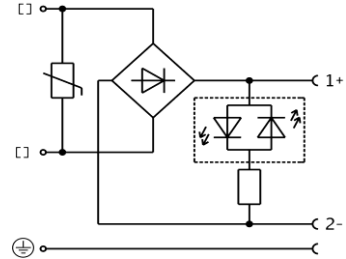
## Circuit

Circuit LED + bridge rectifier + varistor  
 Color of LED red  
 Protecting element yes, varistor on input, diodes on output  
 Voltage 110 V ± 15 %  
 Current type AC / DC  
 Operating current max. 1,5 A  
 Protecting against wrong polarity yes

## Logo



## Circuit diagram




## General properties

Ambient temperature range -25°C ... +90°C  
 RoHS yes  
 CSA approval n/a

## Packaging

100 pcs packaging. Terminal block and housing are packed in pre-assembled condition. Cable gland components are pre-assembled in housing. Fastening screw is inserted in the packet in packaged condition. Profile gasket is inserted into the packet in packaged condition.

SAP TIM

				Zulässige Abweichung für Maße ohne Toleranzangabe Unless otherwise specified tolerances DIN ISO 2768-v	Format/Size: A4 Werkstoff: Material:	Maßstab/Scale:	Gewicht/Weight:
3	29838	2020.02.20	AKO	Schutzvermerk beachten Observe protection note ISO 16016	Benennung: Title:  <b>Connector field att. A 09Dr</b>		
2	29379	2019.06.19	GJO				
1	27389	2017.03.21	LMA				
Ind Rev	Änderung-Nr. Change no.	Datum Date	Name By		Ident. - Nr.:	Freigabe-Nr.:	Blatt:
Geprüft: Checked:	2020.02.20 JONAS				611-201-0919	23557	1/1
Erstellt: Created:	2011.07.05 NEMETH				Ersatz für/Replacement for:		