



2/2 WAY PTFE Direct Acting Diaphragm Series N.C. Solenoid Valve



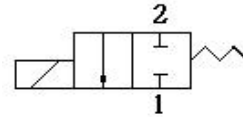
Open: 5 ~ 20 ms Close: 25 ~ 100 ms

★ IP65 100% ED Waterproof Coil

★ PTB Approval EExm II T4 coil



Coil #	#5	#6	3E
AC (VA)	66/46	66/50	9.2
Final Temp. °C	93	112	63
DC (W)	18.5	25	10.0
Final Temp. °C	93	89	81



PH

TYPE: PTFE Body, Stick PTFE on the Rubber Diaphragm, N.C., For Corrosive Fluids.

CODE (PIPE)	FIG. NO.	ORIFICE mm	COIL #	TEMP. °C	Working Press.(0~ bar)						CV
					#5		#6		3E		
					Gas	Fluid	Gas	Fluid	Gas	Fluid	
06 (1/4")	1	2.5	5	-5 / 80	4.0	5.0	-	-	1.5	4.0	0.11
	2	4.0			2.5	4.0			1.0	3.5	0.26
	3	6.0			1.0	3.0			0.5	2.0	0.57
10 (3/8")	1	4.0	3E		2.5	4.0	-	-	1.0	3.0	0.30
	2	6.0			1.0	3.0			0.2	1.0	0.60
	3	8.0			0.5	1.0			-	-	0.90
15 (1/2")	1	6.0	6		3.0	5.0	-	-	1.0	3.0	1.00
	2	9.0			1.5	3.0			0.5	2.0	1.50
	3	12.0			0.5	2.0			-	-	2.00
20 (3/4")	1	10.0	-	1.0	3.0	-	-	1.0	3.0	1.60	
	2	15.0		-	0.5			-	-	2.50	

TYPE INDICATION:

TYPE	PIPE	FIG. NO.	COIL#	PLUG	CONN.	VOLTAGE
PH	06 (1/4") 10 (3/8") 15 (1/2") 20 (3/4")	1 2 3	5/8: #5 6: #6 E: EExm II T4	5/8: STANDARD 0: NO PLUG D: LED K: SPECIAL	5/8: SCREW	AC DC

DIMENSIONS: (mm)

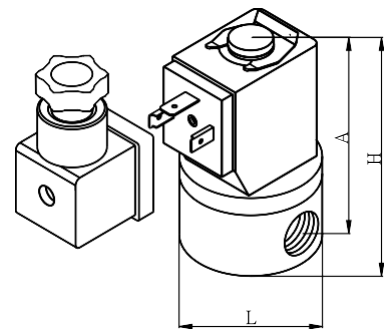
TYPE	A			H			L			NET WEIGHT (kg)		
	#5	#6	3E	#5	#6	3E	#5	#6	3E	#5	#6	3E
PH06	67.0	-	65.0	77.0	-	75.0	45.0	-	45.0	0.42	-	0.60
PHT0	68.5	-	66.5	80.0	-	78.0	45.0	-	45.0	0.42	-	0.69
PH15	-	93.0	-	-	109	-	-	-	70.0	-	0.87	-
PH20	-	96.5	-	-	116	-	-	-	70.0	-	1.00	-

* Remark : K Type coil and Plug for AC only.

* TYPE INDICATION

Example #1 PH06-1 DC24V (□ Standard)
PH06, 1/4", Orifice 2.5 mm, #5 Coil,
Standard Plug, Screw Pipe, DC24V.

Example #2 PH06-3-5-K AC220V
PH06, 1/4", Orifice 6.0 mm, #5K Coil,
K Plug, Screw Pipe, AC220V



※The specifications are tested with NASS AC220V/50HZ and DC24V. We reserve the right to change specifications without notice.

E-mail: sales@solenoid-valves.com
TEL: +44-1454-334990

Website: www.solenoid-valve.world
FAX: +44-1454-326390