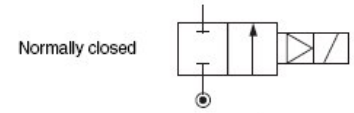


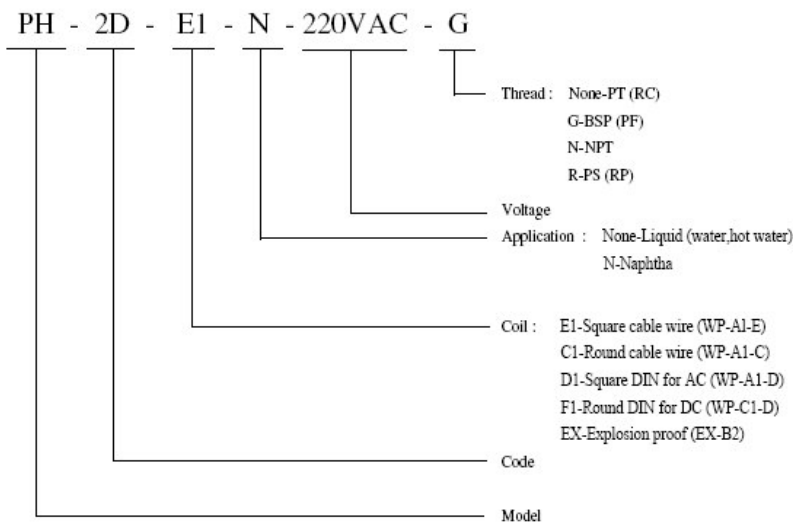
PH-2D 2/2-way solenoid valve of forged brass body for high-pressure application

Pilot High Pressure Type

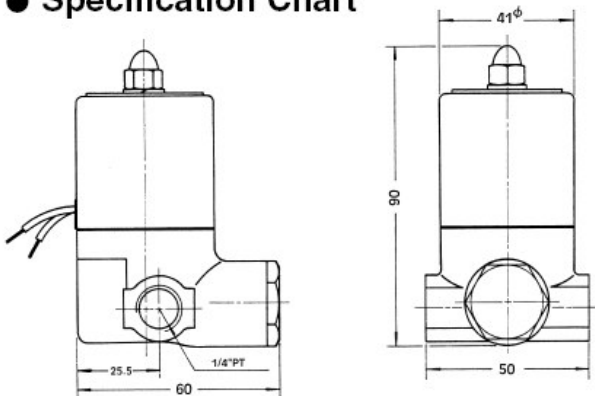


Model	Port size	Orifice (mm)	CV value	Fluid temp. (°C)	Seat disc	Differential pressure kg/cm ² (bar)		Wt. (kg)
						Liquid	Naphtha	
PH - 2D	1/4 °TM	6.3	0.81	-10~120	PTFE	1-30	1-30	0.55

How to order



● Specification Chart



Notes:

1. In order to prolong operating life, it is better to allocate pipe horizontally and face coil upward.
2. Voltage drop range is within $\pm 10\%$.
3. Pressure for voltage DC is 70% of voltage AC only.
4. Plunger seat for piston is made of Teflon[®] which is suitable for high pressure application.
5. Selection of coil refer to page 136~139.

Inapplicable Fluids:

1. Fluids that have kinematic viscosity over 50 CST.
2. Fluids that will turn to liquid after being heated and become solid after being cooled.
3. Corrosive fluids.