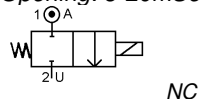


Media: acid – alkali - water –light oil
 Pressure range: 0 to 10 bar max
 Media temperature: -5 °C to +80 °C max
 Ambient temperature: +5 ° to +40 °C
 Media viscosity: 50 centistokes max
 Mounting: any position
 Opening: 5-20mSec Closing: 25-100 mSec



2/2 PTFE

1/4 – 3/4 DRY - ARMATURE

NORMALLY CLOSED

2 WAY DIRECT ACTING

0 – 9 Bar

TYPE PH



PRESSURE

Ø Port BSP	Orifice Ø (mm)	Flow Kv Ltr/min	Pressure Rating (bar) ΔP						Part Number	
			Min	*ATEX 22003EX Coil		18 Watt 22005 Coil		25 Watt 22006 Coil		
				Gas	Fluid	Gas	Fluid	Gas		Fluid
1/4 (06)	2.5	1.8	0	1.5	4.0	4.0	5.0			PH0615 + voltage
	4.0	4.3	0	1.0	3.5	2.5	4.0			PH0625 + voltage
	6.0	9.5	0	0.5	2.0	1.0	3.0			PH0635 + voltage
	2.5	1.8	0					6**	9**	PH0616 + voltage
	4.0	4.3	0					3**	7**	PH0626 + voltage
	6.0	9.5	0					2**	5**	PH0636 + voltage
3/8 (10)	4.0	4.3	0	1.0	3.0	2.5	4.0			PH1015 + voltage
	6.0	9.5	0	0.2	1.0	1.0	3.0			PH1025 + voltage
	8.0	15	0			0.5	1.0			PH1035 + voltage
	4.0	4.3	0					3**	7**	PH1016 + voltage
	6.0	9.5	0					2**	5**	PH1026 + voltage
	8.0	15	0					1.5**	3**	PH1036 + voltage
1/2 (15)	6.0	16.7	0					3.0	5.0	PH1516 + voltage
	9.0	25	0					1.5	3.0	PH1526 + voltage
	12.0	33.3	0					0.5	2.0	PH1536 + voltage
3/4 (20)	10.0	27.5	0					1.0	3.0	PH2016 + voltage
	15.0	41.7	0					-	0.5	PH2026 + voltage

OPTIONS

IP65 Coil & Connector PG9 – DIN 43650 A

*ATEX 22003EX Coil: ATEX EExmIIT4 II 2G & 2D IP65 T130°C

** Special Order please check availability

ELECTRICAL DATA

Voltage (-10% + 10%) Continuous duty 100% (Vac 50%)		Coil	Power Consumption		Insulation class	Enclosure	Electrical connections
~	=		Inrush	Holding			
~	24 - 48 - 110 - 220 - 380 (50 or 60 Hz)	22005	33VA	24VA	F 155°C	IP 65 with connector	3 spades DIN 43650 DIN 40050 VDE 0110
=	12 - 24 - 48 (DC)		18 Watts				
~	110 – 230 (rectified to DC)	22006	66VA	46VA			
=	24 (DC)		25 Watts				

CONSTRUCTION

Body: PTFE (all wetted parts PTFE) other parts stainless steel

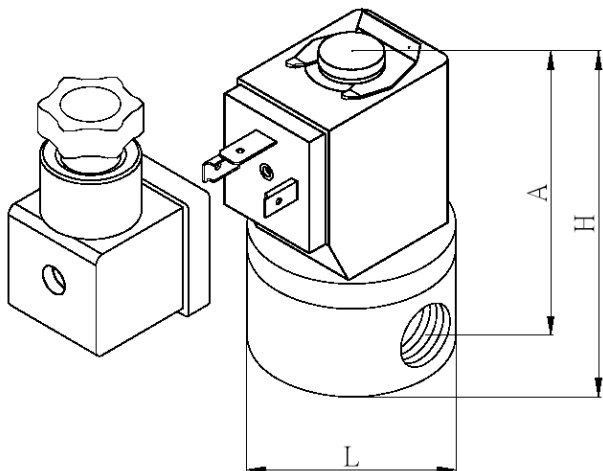
Tube and internal parts: Stainless steel (Dry armature)

Seal: PTFE encapsulated FKM

REPAIR KIT

Coil	Coil size (22005 or 22006) + voltage
Diaphragm	SP + Valve Part Number –DIAPHRAGM
Armature	SP + Valve Part Number -ARMATURE

OVERALL DIMENSIONS



Type	A		H		L		Kg
	22005	22006	22005	22006	22005	22006	
Coil							
PH06	67	82.5	77	93	45		0.5
PH10	68.5	84	80	95.5	45		0.5
PH15		93		109		70	0.9
PH20		96.5		116		70	1.0