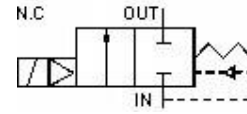




# Diaphragm Series 2/2 N.C.

Opening: 50~250ms, Closing: 100~500ms

★ manual override for flow control setting



ISO 9001



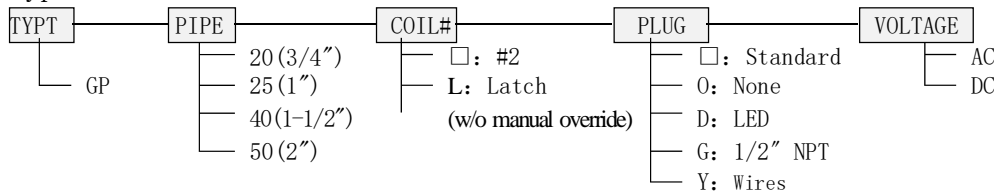
GP

Coil#	2	L
AC (VA)	6.9	-
Final Temp. °C	65.0	-
DC (W)	4.8	1.5
Final Temp. °C	65.0	50.0

Specification: PA Body, For Water

Type	Code (PIPE)	Orifice	Diap.	Coil #	Temp. °C	Working Press. 0.3 ~ bar		CV
						# 2(AC/DC)	#L (DC)	
						Water	Water	
GP	20 (3/4")	20	NBR	2	5	7	7	6.8
	25 (1")	25			/			11.0
	40 (1-1/2")	38			60			26.0
	50 (2")	50						L

Type Indication



DIMENSIONS

Type	dimension: mm			Net weight: kg	
	H	L	W	#2	L
GP20	105	110	81	0.23	0.24
GP25	112	110	81	0.24	0.25
GP40	180	160	126	0.74	0.75
GP50	190	170	126	0.79	0.80

Example 1: GP20-D-DC24V

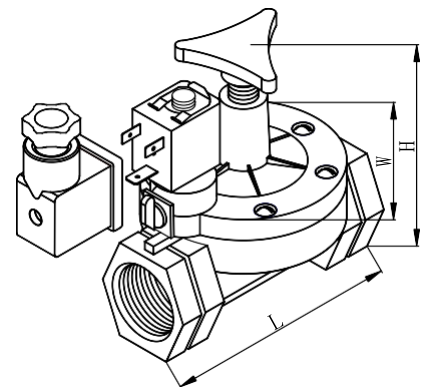
Type GP20 3/4" Pipe, orifice 20mm, #2 Coil, LED Plug, 24VDC

Example 2: GP25-Y-AC220V

Type GP25 1" Pipe, orifice 25mm, #2Y Coil, 220VAC

Remarks:

- ☆ Latch type reverts back to power positive and negative, AAA coil with DC voltage and 2 wires only.
- ☆ manual and flow regulating device



※The specifications are tested with NASS AC220V/50HZ and DC24V. We reserve the right to change specifications without notice.

E-mail: [sales@solenoid-valves.com](mailto:sales@solenoid-valves.com)

Website: [www.solenoid-valve.world](http://www.solenoid-valve.world)