

QUEEN

Pilot operated solenoid valves
normally closed, energized open

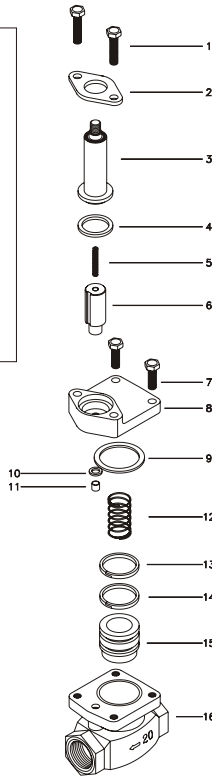
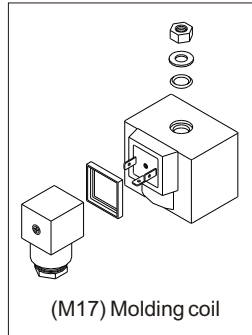
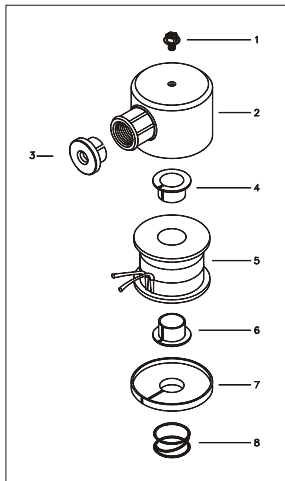


Features:

1. Suitable for steam, air, inert gases, water, and oil (Below 50 cst).
2. Can be mounted in vertical and horizontal position.
3. Maximum working temperature up to 200 °C.

Model	Connection	Orifice (mm)	Cv Value	Operating pressure (kg*f/cm ²)			Max. Media Temp.	Power Consumption VA
				Steam	Water	Oil (Below 50cst)		
MT-20S(M17)	PT 3/4"	20	7.4	0.3-15	0.3-15	0.3-7	200°C	26
MT-25S(M17)	PT 1"	25	12					

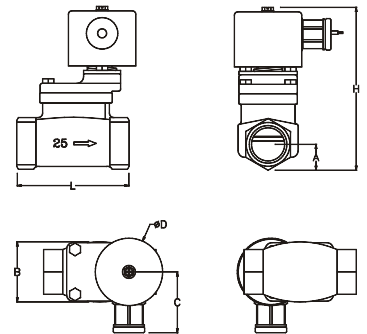
* NPT on request.
* M17 (Molding coil)



NO.	Description	Material
1	Bolt	SUS 304
2	Plate	SPC
3	Plunger tube unit	SUS 304, KM-31
4	Packing	TEFLON
5	Plunger spring	SUS 304
6	Plunger	KM-31
7	Nut	SUS 304
8	Valve bonnet	BC 6
9	Packing	TEFLON
10	Packing	TEFLON
11	Sleeve	BSBF
12	Spring	SUS 304
13	Piston ring	TEFLON
14	Piston ring	TEFLON
15	Main Valve	BSBF
16	Valve body	BC 6

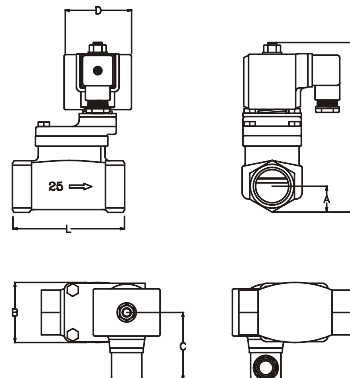
NO.	Description	Material
1	Hexagon bolt	SWRM
2	Coil bonnet	SPC
3	Lead cap	ABS
4	Bobbin sleeve	SPC
5	Coil	H Class
6	Bobbin sleeve	SPC
7	Spacer	SPC
8	Coil spring	SWP2

Assembly drawing
Model No.: MT-20S



MT-20S

Model	Connection	L (mm)	H (mm)	A (mm)	D (mm)	B (mm)	C (mm)
MT-20S	PT 3/4"	80	145	19	φ62	46	56
MT-25S	PT 1"	100	160	24		53	
MT-20S-M17	PT 3/4"	80	145	19	60	46	65
MT-25S-M17	PT 1"	100	160	24		53	



MT-20S-M17