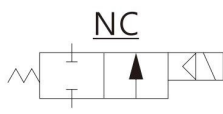
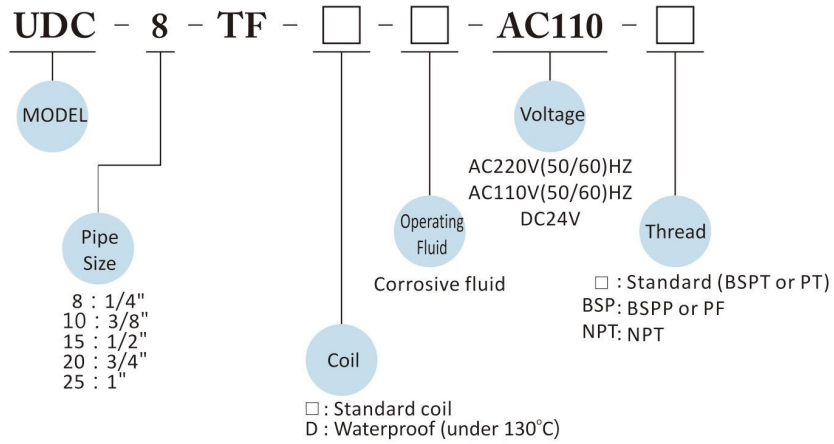


# UDC-8-TF~25-TF



UD Series

### PRODUCT DESCRIPTION

- UDC-TF series is direct-acting, conductive and normally closed (NC) 2/2 way solenoid valve.
- Able to be operated directly without pressure
- Availability of fluid type: water, air
- PTFE valve body is corrosion-resistant (pH 0~14)

### CAUTIONS:

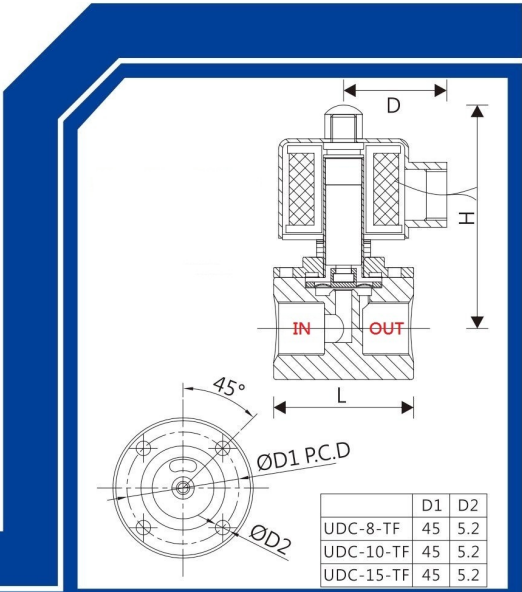
- Before pipelining, the pipe line must be very clean without any contaminants or any other things not ought to be existed.
- To prolong the life time of the product, Y-line filter should be installed in the front end of solenoid valve.
- Do not use for frequent operation
- AC voltage tolerance: ± 10%; DC voltage tolerance: ± 1%
- It should be installed horizontally; vertical installation is not advisable.

### Not Suitable For Fluid As Below:

- Liquid status when it is high temperature; solid status when it is cool.
- Viscosity over 20 cst

### MATERIAL:

PARTS	Coil	Tube	Spring	Core	Oring	Diaphragm	Valve body
MATERIAL	Special copper wire (H)	Stainless steel	Stainless steel	Stainless steel	Synthetic rubber	PTFE	PTFE



### SPECIFICATION

MODEL	Waterproof DIN/flying lead Coil	NASS DIN Coil (IP65)	PIPE SIZE	CV	ORIFICE	FLUID TEMP. (°C)	Operating Pressure kgf / cm <sup>2</sup> (bar)					Vacuum (Torr)	Dimension (mm)			Weight (kg)
							Water	Air	Steam	Light oil	Gas		L	H	D	
UDC-8-TF	●		1/4"	0.28	6.5mm	-5°C ~ +80°C	0~1	0~1					50	90	48	0.53
UDC-10-TF	●		3/8"	0.28	6.5mm	-5°C ~ +80°C	0~1	0~1					50	90	48	0.52
UDC-15-TF	●		1/2"	0.28	6.5mm	-5°C ~ +80°C	0~1	0~1					55	93	48	0.58
UDC-20-TF			3/4"	4	13mm	-5°C ~ +80°C	0~0.5	0~0.5					76	119	58	1.76
UDC-25-TF			1"	4	13mm	-5°C ~ +80°C	0~0.5	0~0.5					76	119	58	1.73