

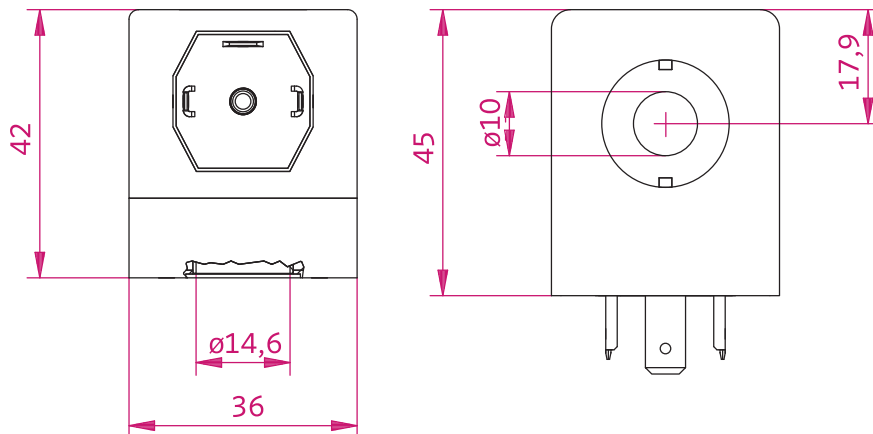


SOLENOID COIL

Width: 36 mm
Connection type: form A - EN 175301-803-A
Moulding material: thermoset resin

General Data

Voltage tolerance ± 10 %
Ambient temperature - 20 °C to + 50 °C
Relative duty cycle 100 %
Insulation class of insulating materials
according to DIN VDE 0580 F
Degree of protection with connector
according to EN 60529 IP 65 (IP 67 on request)
Protective class I
Imprint *nass magnet* (customer imprint possible)



**Technical Data** Standard Versions

Part No.	Voltage	Frequency [Hz]	Rated Power [W] [VA]	Power Level	$\Delta\theta_{32}$ [K]
113-030-0123	24 V DC	-	4,1	2	30
113-030-0144	24 V AC	50	8,8	2	40
113-030-0144	24 V AC	60	7,6	2	40
113-030-0128	220 V AC	50	9,0	2	45
113-030-0128	240 V AC	60	9,2	2	45
113-030-0142	230 V AC	50	8,8	2	40
113-030-0142	230 V AC	60	7,6	2	40
113-030-0121	220 V AC	50	14,0	3	60
113-030-0124	24 V DC	-	7,9	3	50
113-030-0135	24 V AC	50	14,0	3	60
113-030-0135	24 V AC	60	12,0	3	60
113-030-0279	110 V AC	50	13,9	3	60
113-030-0279	110 V AC	60	12,2	3	60
113-030-0125	24 V DC	-	11,9	4	70
113-030-0129	24 V AC	50	21,0	4	90
113-030-0129	24 V AC	60	18,0	4	85
113-030-0126	110 V AC	50	21,5	4	90
113-030-0141	230 V AC	50	22,0	4	90
113-030-0141	230 V AC	60	19,0	4	85
113-030-0120	12 V DC	-	17,5	5	105
113-030-0127	24 V AC	50	25,0	5	105
113-030-0132	24 V DC	-	18,5	5	105
113-030-0120	36 V AC	50	25,0	5	105
113-030-0137	110 V AC	50	27,5	5	105
113-030-0140	110 V AC	60	26,5	5	105
113-030-0137	120 V AC	60	28,0	5	105
113-030-0133	220 V AC	50	25,5	5	105
113-030-0122	220 V AC	50	22,0	5	105
113-030-0138	230 V AC	50	25,5	5	105
113-030-0133	240 V AC	60	25,0	5	105
113-030-0138	240 V AC	60	27,0	5	105

$\Delta\theta_{32}$ [K]: steady-state over-temperature according to VDE 0580