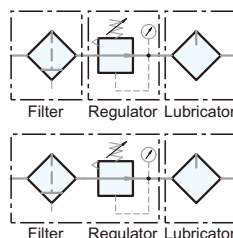


Miniature F.R.L Combination

Filter + Regulator + Lubricator & Filter Regulator + Lubricator

Symbol



*Lubricator oil (Recommended): ISO-VG32

Features

1. Remove water and particle effectively.
2. Compact size with effective air service.
3. 40µm and 5µm filter element are easily interchangeable and replaceable.
4. Accurate and easy pressure setting.
5. Oil spray in mist ensures good lubrication for machines.

How to order

FRL700C	02	N	C	B	H
FRL700C : Miniature Filter+Regulator+Lubricator	Port size 01 : 1/8"(option) 02 : 1/4"	Thread Blank : G N : NPT R : Rc	Filtration PE : 5µm Blank : 5µm C : 40µm Sintered brass S : 5µm T : 40µm	Gauge type Blank : Circle B : Square	Drain Blank : Semi-auto drain H : Manual drain D : Auto drain

Please contact our sales for non-relieving type.

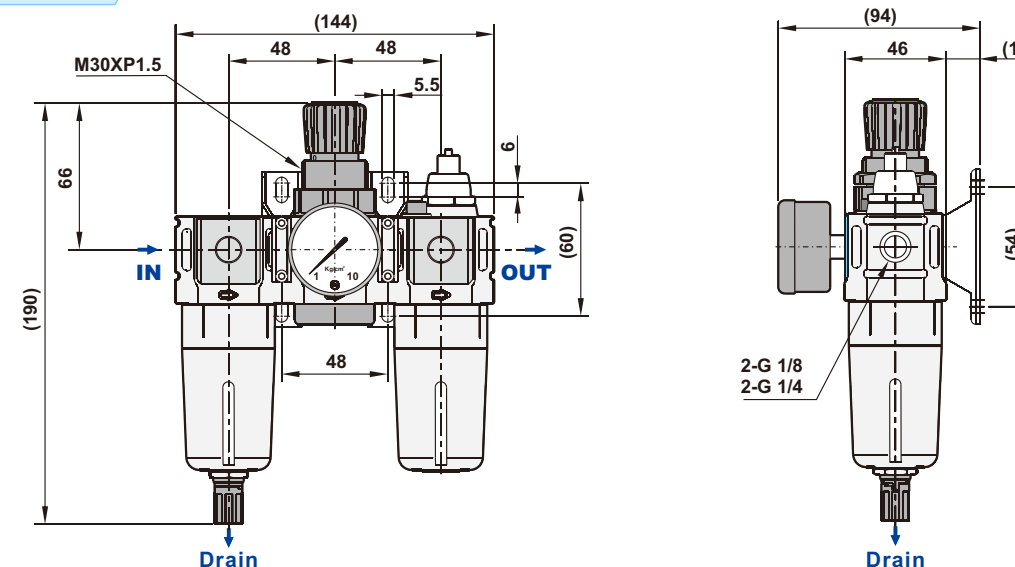
*For non-relieving type, the secondary pressure is not allowed to be exhausted when it is higher than setting pressure.

Specifications

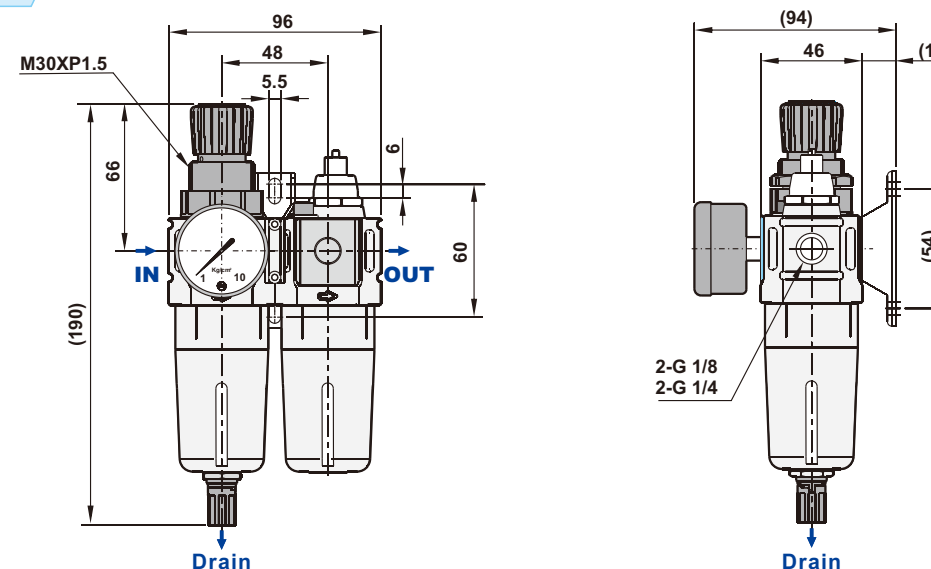
Model	FRL700C-01	FRL700C-02	FRL600C-01	FRL600C-02
Port size	1/8" (option)	1/4"	1/8" (option)	1/4"
Fluid	Compressed air			
Regulator construction	Piston			
Body material	Aluminum die-cast			
Bowl material	Polycarbonate (Standard)			
Filtration	PE: 5µm (Standard), 40µm (Option); Sintered brass(Option):5µm, 40µm			
Operating pressure range	0.5 ~ 9.9 kgf/cm ²			
Max. inlet pressure	12 kgf/cm ²			
Max. flow rate l/min (ANR)	1875		1750	1850
Ambient temperature	-10°C ~ 60°C			
Filter bowl capacity	40cc			
Lubricator bowl capacity	50cc			
Standard drain	Semi-auto drain (Drains below 0.5kgf/cm ²)			
Net weight	765g		560g	
Accessories	Pressure gauge, Mounting bracket set, Plug			
Option	Gauge plate			

Dimensions

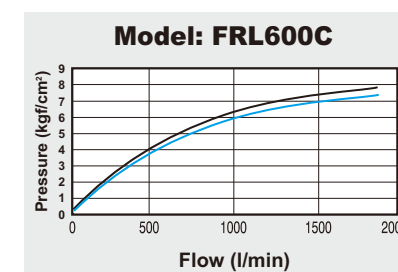
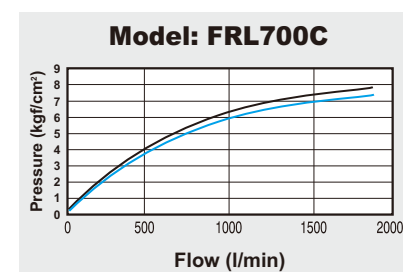
FRL700C-01, 02



FRL600C-01, 02



Flow chart



Note:

- X axis: Flow (l/min)
- Y axis: Pressure (kgf/cm²)
- Blue line (P0) = Outlet pressure
- Black line (P1) = Inlet pressure
- P1-P0=Pressure range

