

Media: acids – aggressive media
 Pressure range: 0.3 to 6 Bar max
 Media temperature: -10°C +60°C max
 Ambient temperature: -20° to +60°C
 Media viscosity: 50 centistokes max
 Mounting: coil upright



N/C

2/2 PVC, PP, PTFE

1/2 - 2 15 - 50mm DRY - ARMATURE

NORMALLY CLOSED

2 WAY SERVO ASSISTED

0.3 – 6 Bar

TYPE160A



PRESSURE

Ø Port	Body Material	Ø Orifice (mm)	Flow Kv L/min	Pressure (Bar) ΔP		Seals	Part Number
				Min	Max		
Cement Socket (KM)	20mm	PVC	15	51.77	0.3	6	160A15P1KM + seal + voltage
	25mm	PVC	20	163.66	0.3	6	160A20P1KM + seal + voltage
	32mm	PVC	25	172.01	0.3	6	160A25P1KM + seal + voltage
	40mm	PVC	32	387.44	0.3	6	160A32P1KM + seal + voltage
	50mm	PVC	40	400.79	0.3	6	160A40P1KM + seal + voltage
	63mm	PVC	50	494.32	0.3	6	160A50P1KM+ seal + voltage
Weld Socket (SM)	20mm	PP	15	51.77	0.3	6	160A15P2SM + seal + voltage
	25mm	PP	20	163.66	0.3	6	160A20P2SM + seal + voltage
	32mm	PP	25	172.01	0.3	6	160A25P2SM + seal + voltage
	40mm	PP	32	387.44	0.3	6	160A32P2SM + seal + voltage
	50mm	PP	40	400.79	0.3	6	160A40P2SM + seal + voltage
	63mm	PP	50	494.32	0.3	6	160A50P2SM + seal + voltage
BSP (G)	1/2	PTFE	15	51.77	0.3	6	160A15P4G12 + seal + voltage
	3/4	PTFE	20	163.66	0.3	6	160A20P4G34 + seal + voltage
	1	PTFE	25	172.01	0.3	6	160A25P4G1 + seal + voltage
	1 1/4	PTFE	32	387.44	0.3	6	160A32P4G54 + seal + voltage
	1 1/2	PTFE	40	400.79	0.3	6	160A40P4G64 + seal + voltage
	2	PTFE	50	494.32	0.3	6	160A50P4G2 + seal + voltage

OPTIONS

ATEX 22003EX Coil: ATEX EExmII T4 II 2G & 2D IP65 T130°C
 Manual Override

ELECTRICAL DATA

Voltage (-10% + 10%) Continuous duty 100%	Coil	Power Consumption		Insulation class	Enclosure	Electrical connections
		Inrush	Holding			
~ 24 - 48 - 110 - 230 - 380 (50/60 Hz)	22003	23VA	17VA	H 180°C	IP 65 with connector	3 spades DIN 43650 DIN 40050 VDE 0110
= 12 - 24 - 48 (DC)		15 Watts				

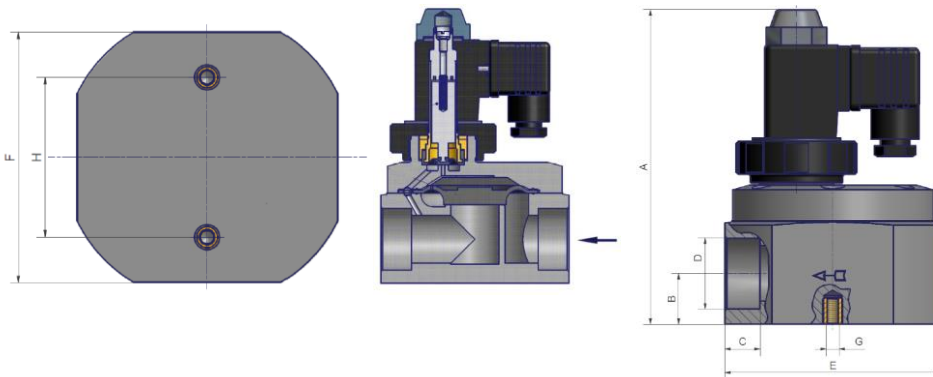
CONSTRUCTION

Body: PVC, Polypropylene or PTFE
 Tube and internal parts: Stainless steel with PTFE bellows (Dry – Armature)
 Seals and gaskets: EPDM or FKM
 Moulded coil: Resin

REPAIR KIT

Diaphragm Seal	SP + Valve Part Number -DIAPHRAGM
Coil	22003 + voltage

OVERALL DIMENSIONS



DN	PVC/PP	PTFE	A	B	C	E	F	G	H	Kg
15	20	1/2	129	16	14.5	74	62	M5	40	0.6
20	25	3/4	143	23	16	98	94	M6	60	1.0
25	32	1	143	23	16	98	94	M6	60	1.0
32	40	1 1/4	171	31	20	124	124	M8	80	1.9
40	50	1 1/2	171	31	20	124	124	M8	80	1.9
50	63	2	189	39	20.5	140	140	M8	90	2.8

Pressure loss curve

