

1-inch NYLON Valve

Specification

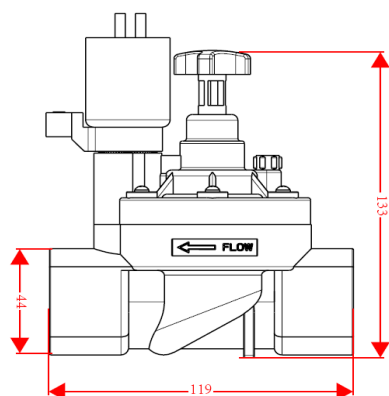
Port Size	1-inch, DN25
Port Connection	Female Thread Connected, BSP
Body Material	Glass-fiber Reinforced PA66

Operation Data

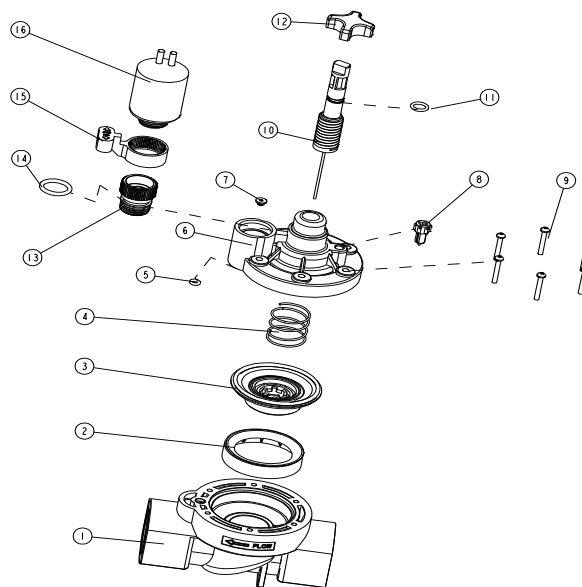
Max. Flow Range	m ³ /h	7.6
	USG/min	34
Max. Working Pressure	bar	10
	psi	145
Min. Pressure	bar	0.69
	psi	10
Max. Temperature	°C	60
	°F	140



Dimensions (in millimetre)



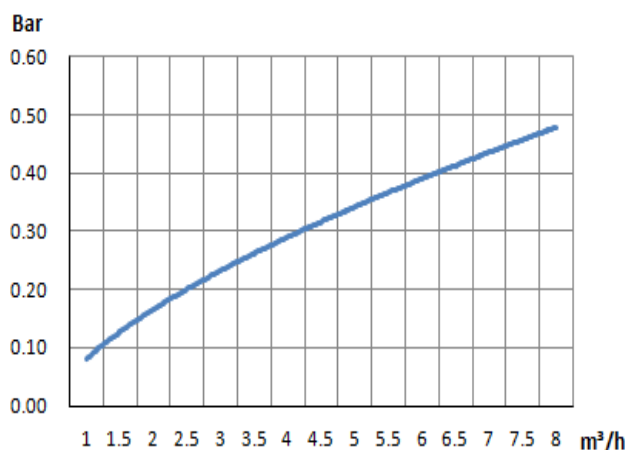
Components



Product Uses

- Irrigation systems (Field Valves)
- Underground irrigation systems
- Agriculture
- Landscaping
- Green Houses
- Sprinkler systems

Head Loss Chart: 2-way Electric Valve



<< Relationship between Flow and Head Loss >>

Horizontal Axis Q : Flow rate, 1m³/h=4.4gpm(US)=3.67gpm(UK);
Vertical Axis ΔH : Head loss, 1Bar=14.5Psi=0.1mwc.

No.	Parts	Material
1	Valve Body	Reinforced PA66
2	Diaphragm Seat Ring	PA66
3	Diaphragm	NBR
4	Spring	304 SST
5	O-Ring	NBR
6	Valve Bonnet	Reinforced PA66
7	Core Plug	304 SST
8	External Bleed Screw	POM
9	M4 Bolts x 6	304 SST
10	Regulating Stem	POM & 304 SST
11	O-Ring	NBR
12	Throttling Handle Turncap	POM
13	Valve Core Seat	POM
14	O-Ring	NBR
15	Internal Bleed Lever	POM
16	Solenoid	Assembly

Connexion Developments Ltd

Unit 3 Rainbow Court, Armstrong Way, Vaux, Bristol, BS37 5NG, England
 Tel: 01853 858177 Fax: +44 1853 236961 Email: sales@connexion.com
 Company Registered: 02002257 VAT No: 752066644
 www.connexion.com