

Features

- * Stainless steel SUS316 body for corrosion resistance.
- * Coil nut is available, please refer to page 7-4.
- * Ex-proof coil is available, please refer to page 7-8.

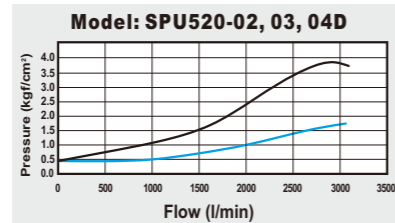
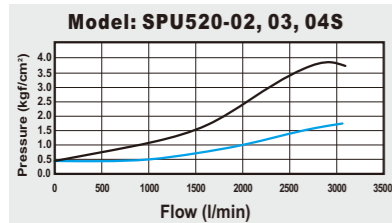


How to order

SPU520 - 04	N - S	1	LED	E1
SUS316 series	Port size	Thread	Solenoid	Voltage
5/2 way	02 1/4" 03 3/8" 04 1/2"	Blank G N NPT	S Single solenoid D Double solenoid	1 110VAC 2 220VAC 9 24VDC
			LED	Coil type
			Blank (W/O LED)	Blank DIN F Lead wire E1 EX-proof 22mm width E2 EX-proof 30mm width E3 EX-proof CSA standard

Flow chart

* Please refer to page P7-8 for the details of ex-proof coil. ▶

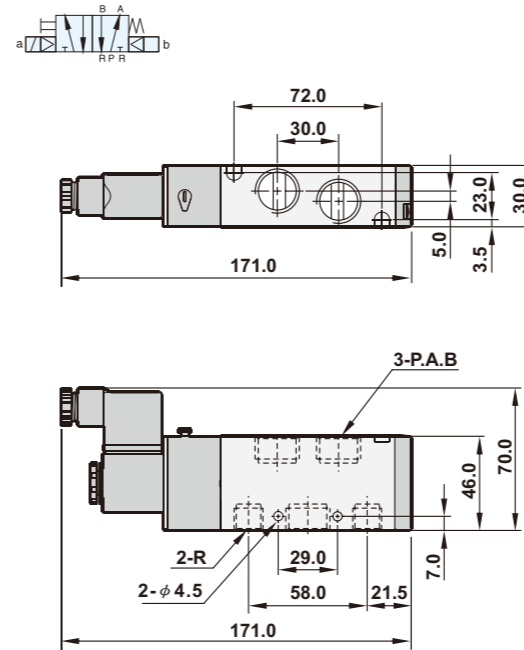


Specifications

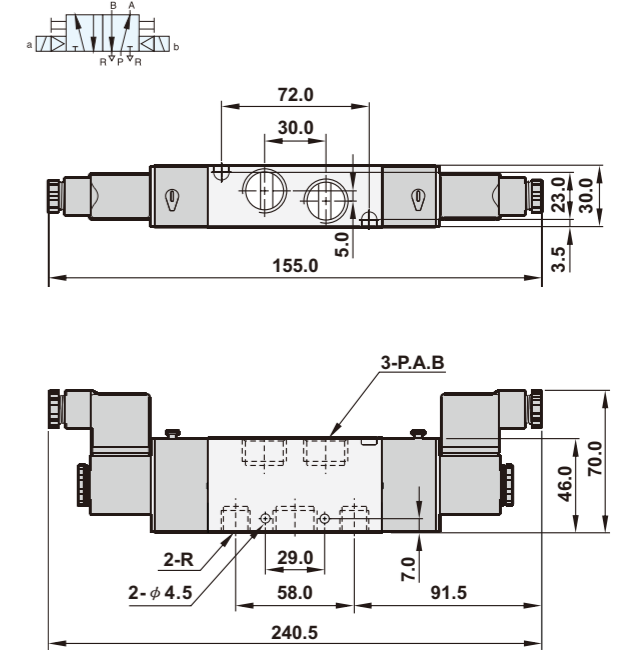
Model	SPU520-02, 03, 04S		SPU520-02, 03, 04D	
Port size	1/4", 3/8", 1/2"		1/4", 3/8", 1/2"	
Body material	SUS316			
Effective area	35mm ²	65mm ²	35mm ²	65mm ²
Fluid	Compressed air			
Acting	Internal pilot			
Operating pressure range	1.5~8 kgf/cm ²			
Proof pressure	9.99 kgf/cm ²			
Ambient temperature	-10°C ~ 60°C			
Insulation class	F			
Temperature class	EEXmIIT4			
Duty cycle	100% ED			
Voltage tolerance	±10%			
Protection class	IP65 (EN 60529)			
Standard voltage	220VAC, 110VAC, 24VDC (The other voltage is optional)			
Net weight	1000g		1200g	

Dimensions

SPU520-02, 03, 04S



SPU520-02, 03, 04D



Model	A	B	P	R
SPU520-02	1/4	1/4	1/4	1/4
SPU520-03	3/8	3/8	3/8	3/8
SPU520-04	1/2	1/2	1/2	3/8

Explosion

