

Features

- * Suitable for flammable working environments.
- * The valve is actuated by air for accurate response.



How to order

SA520

X

01

N

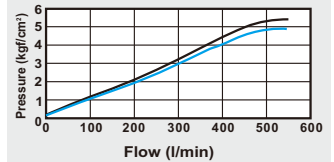
S

SA pneumatic valves series	
52	5/2 way
53	5/3 way valve is only available for double pneumatic control

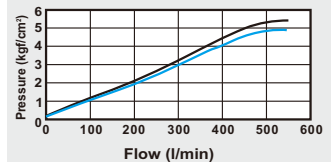
Acting style		Port size		Thread		Pneumatic control	
Blank	Standard	01	1/8"	Blank	G	S	Single pneumatic
X	5/3 way Exhaust center			N	NPT	D	Double pneumatic
Y	Pressurized center			R	Rc		

Flow chart

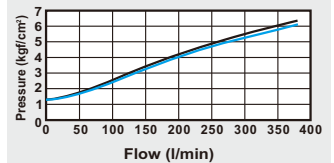
Model: SA520-01S



Model: SA520-01D



Model: SA530-01D

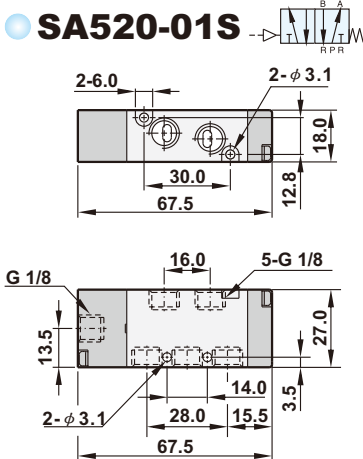


Specifications

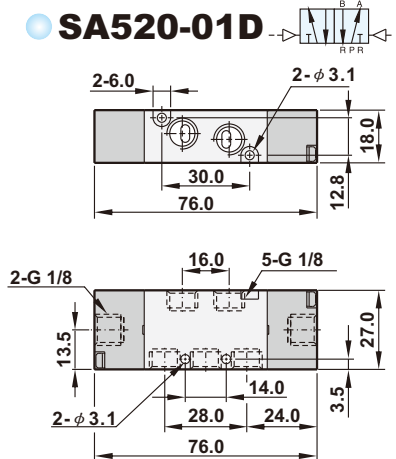
Model	SA520-01S	SA520-01D	SA530-01D
Port size	1/8"		
Body material	Aluminum alloy		
Effective area	11mm ²	9mm ²	
Fluid	Compressed air		
Acting	External pilot (1.5 ~ 7 kgf/cm ²)		
Operating pressure range	0 ~ 8 kgf/cm ²		
Proof pressure	9.99 kgf/cm ²		
Ambient temperature	-10°C ~ 80°C		
Net weight	70g	75g	110g

Dimensions

SA520-01S



SA520-01D



SA530(X)(Y)-01D

