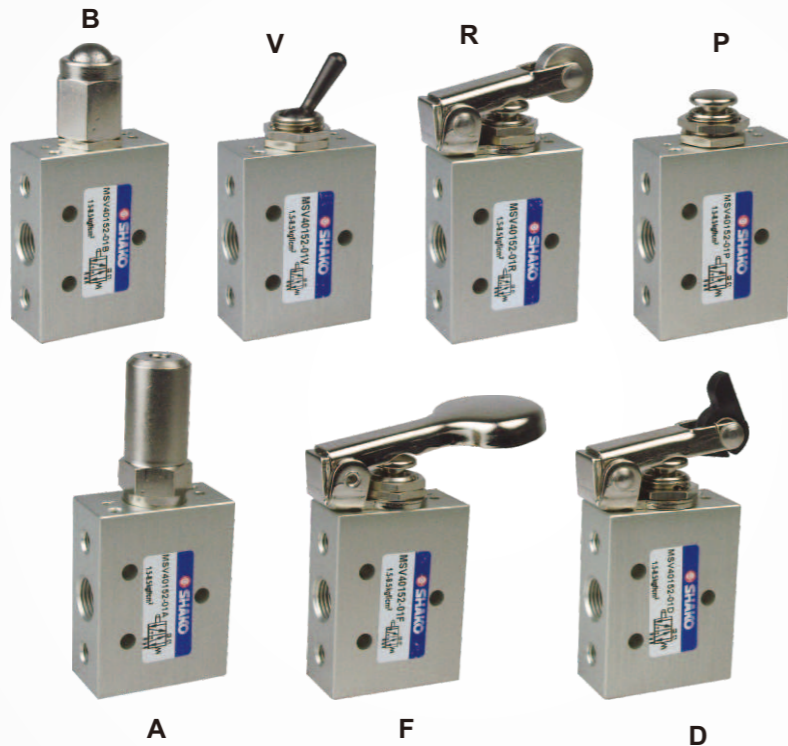


Features

- * 7 kinds of installation.
- * Panel bore size ϕ 12.

401P patent number in China :
ZL200530157288.5

401V patent number in China :
ZL200530157287.0



How to order

MSV40152 —

01

N

V

Mechanical valves

Port size

Thread

Operator

5/2 way

01 1/8"

Blank	G
N	NPT
R	Rc

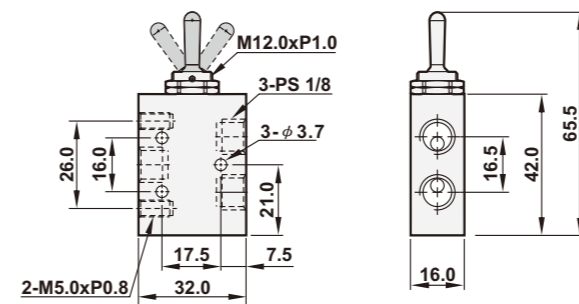
V	Toggle lever
R	Roller
P	Push button
D	One way roller
B	Ball plunger
A	Air pilot
F	Finger button

Specifications

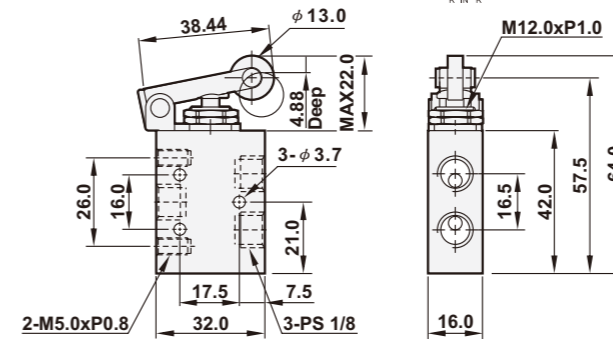
Model	MSV40152-01
Port size	1/8"
Body material	Aluminum alloy
Panel dimension	12mm
Fluid	Compressed air
Sectional area	6.3mm ²
Operating pressure range	0 ~ 9 kgf/cm ²
Air pilot operation	Starting pressure: 3.5 ~ 7.0 kgf/cm ²
Proof pressure	10 kgf/cm ²
Ambient temperature	-10°C ~ 60°C

Dimensions

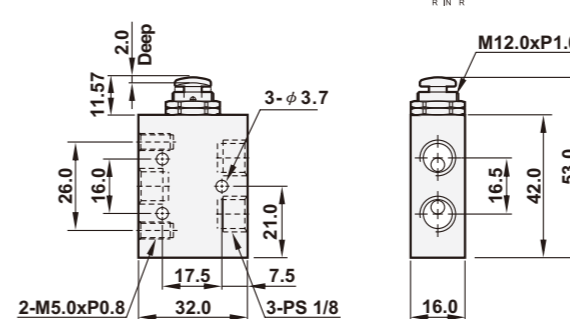
MSV40152-01V



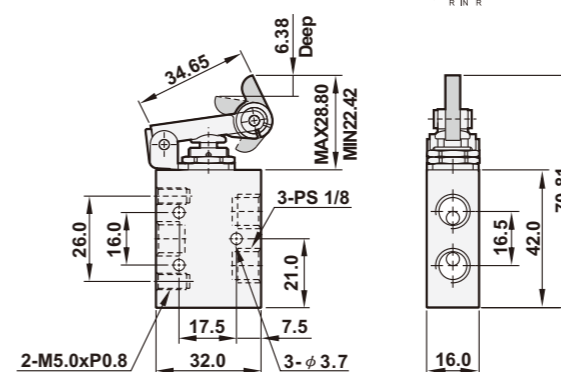
MSV40152-01R



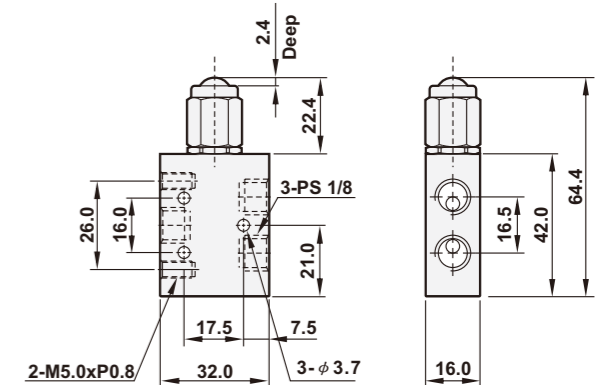
MSV40152-01P



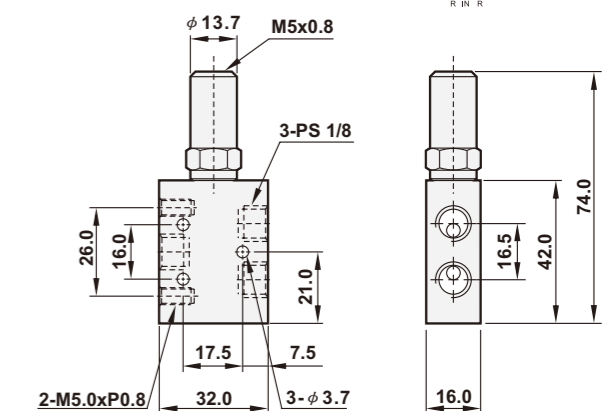
MSV40152-01D



MSV40152-01B



MSV40152-01A



MSV40152-01F

