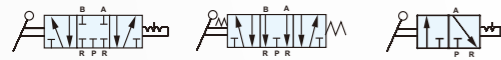


Features

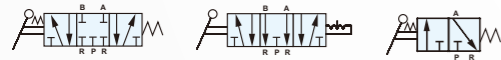
- * Simply operating.
- * Large flow rate.
- * Suitable for vacuum operation.
- * Available for panel mounting.

Symbol

- TSV8753-02M
- TSV8753-02SX
- TSV9832-M



- TSV8753-02S
- TSV8753-02MX
- TSV9832-S



How to order

TSV8753	-	02	N	M	F
Rotary valves		Port size	Thread	Acting	Mounting bracket
53		5/3 way	Blank G N NPT R Rc	S Spring return (For 1/4" port only) M Detent SX Exhaust center, Spring return (For 1/4" port only) MX Exhaust center, Detent	Blank W/O bracket

TSV9832	-	02	N	M
Rotary valves		Port size	Thread	Acting
32		3/2 way	Blank G N NPT R Rc	M Detent S Spring return

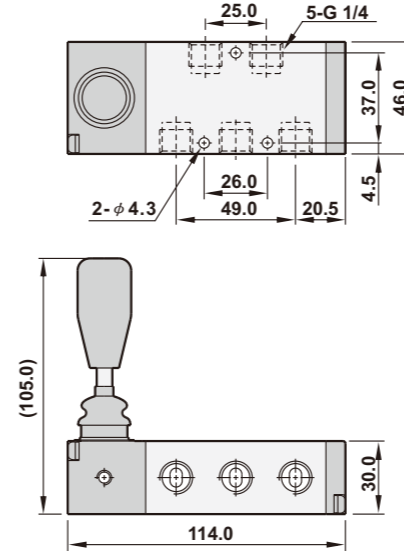
Specifications

Model	TSV8753-02M(S)	TSV8753-03M(S)	TSV9832-01M(S)	TSV9832-02M(S)
Port size	1/4"	3/8"	1/8"	1/4"
Body material	Aluminum alloy			
Fluid	Compressed air			
Sectional area	35mm ²		18mm ²	
Operating pressure range	0 ~ 9 kgf/cm ²			
Proof pressure	10 kgf/cm ²			
Ambient temperature	-10°C ~ 60°C			

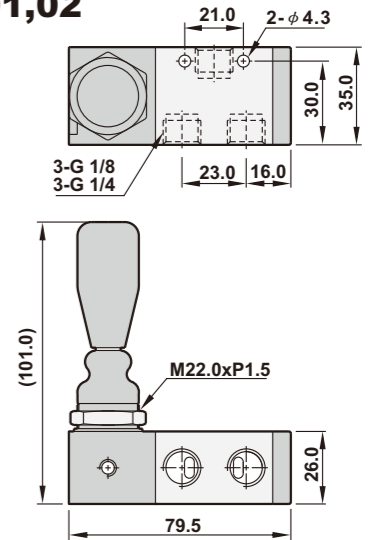


Dimensions

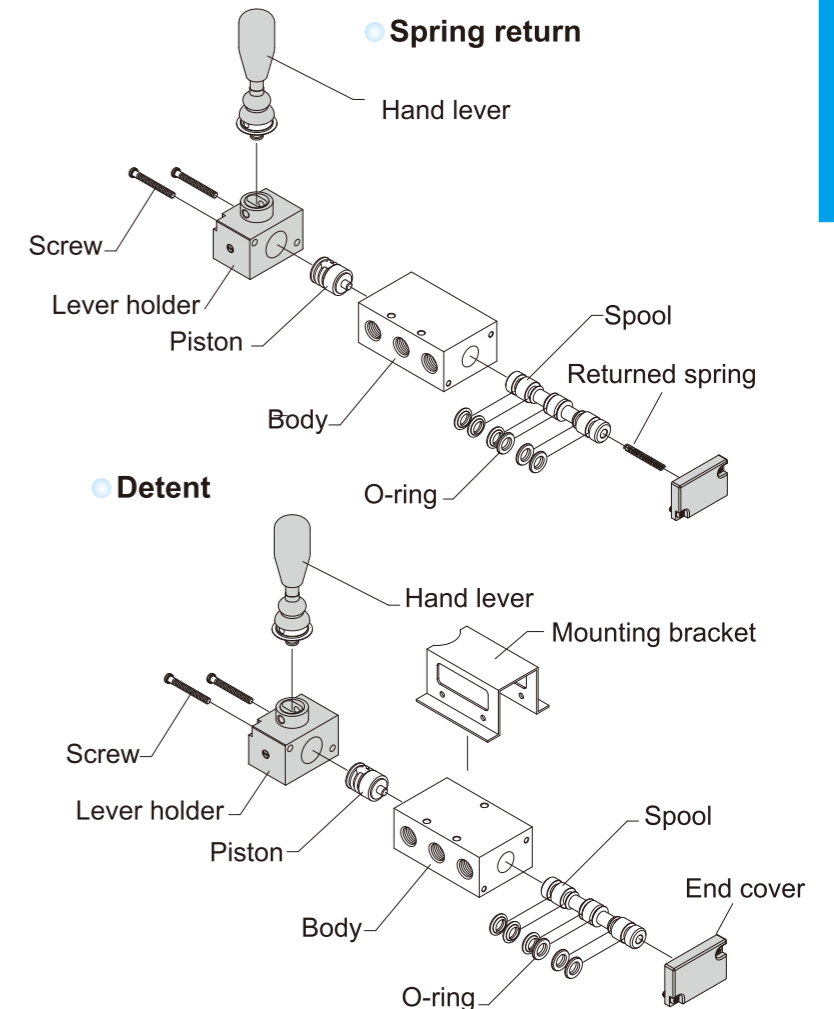
TSV8753-02



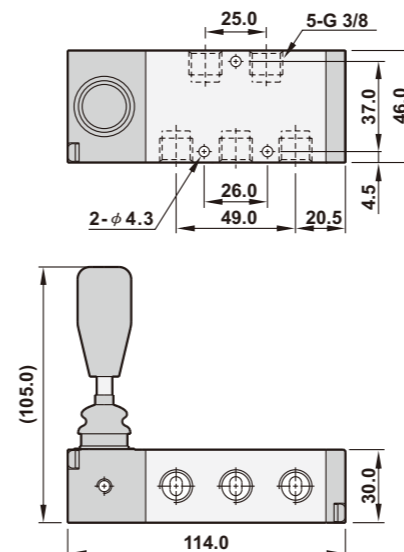
TSV9832-01,02



Explosion



TSV8753-03



Flow chart

