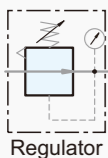


Symbol



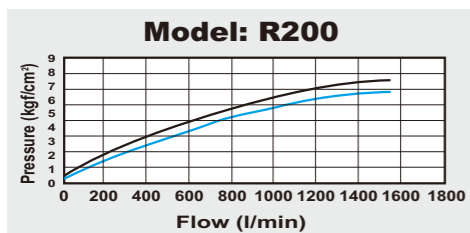
Features

- * Accurate and easy pressure setting.
- * Panel mounting is available.

How to order

R200	—	02	N	B	G	V
Miniature Regulator		Port size	Thread	Mounting bracket	Pressure gauge	Function option
		02 1/4" Standard 01 1/8" Option	Blank G N NPT R Rc	Blank W/O bracket B W/I bracket	Blank W/O gauge G W/I gauge	Blank Relief V No-Relief

Flow chart



Note:

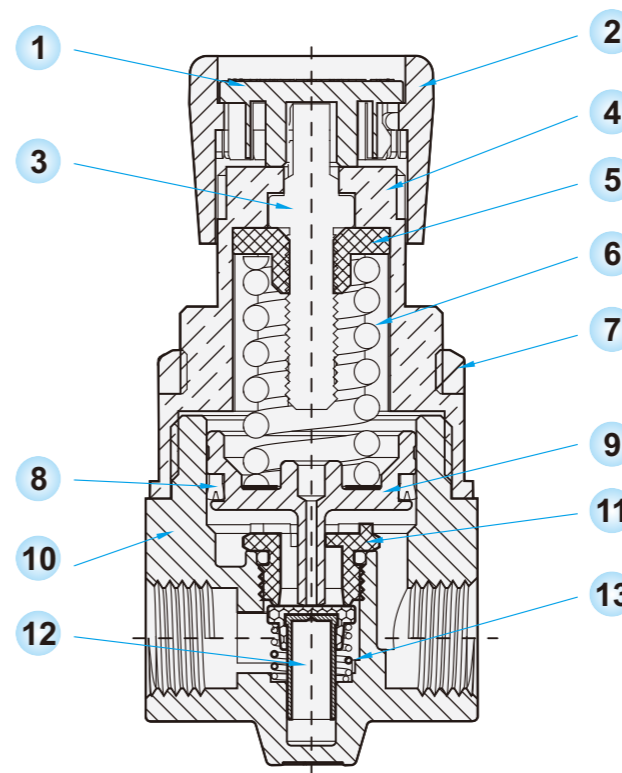
X axis: Flow (l/min)
Y axis: Pressure (kgf/cm²)
Blue line (P0) = Outlet pressure
Black line (P1) = Inlet pressure
P1-P0=Pressure range

Specifications

Model	R200
Port size	1/8"(Option), 1/4"(Standard)
Fluid	Compressed air
Regulator construction	Piston
Body material	Aluminum die-cast
Operating pressure range	0.5 ~ 8 kgf/cm ²
Proof pressure	12 kgf/cm ²
Max. flow rate l/min (ANR)	1550
Ambient temperature	-5°C ~ 60°C
Net weight	205g
Accessories	Plug

Construction

R200-01, 02



No.	Description	Material
1	Regulator dome	NY
2	Regulator knob	NY
3	Pressure regulating screw	Fe+Ni
4	Regulator base	NY+GF
5	Pressure regulating nut	Cu+Ni
6	Spring	Spring steel
7	Lock nut	NY+GF
8	U type seal	NBR
9	Piston Needle	POM
10	Body	ADC12
11	Positioning nut	POM
12	Regulator stem	Cu+NBR
13	Spring	Spring steel

Dimensions

R200-01, 02

