

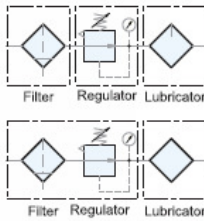


F.R.L COMBINATION

Filter+Regulator+Lubricator & Filter Regulator+Lubricator

F.R.L COMBINATIONS

Symbol



Features

- * Remove water and particle effectively.
- * 40 μ m and 5 μ m filter element are easily interchangeable and replaceable.
- * Accurate and easy pressure setting.
- * Lubricator oil can be replenished without stopping air supply.
- * Oil spray in mist ensures good lubrication for machines.
- * Anti-acid & alkali bowl and aluminum bowl provide excellent protection in organic chemistry working environments. (Please contact our sales for more enquires.)



How to order

NUFRL	-	02	N	C	G	D	A	SB			
F.R.L combination	Port size	Thread		Filtration	Gauge type		Drain		Bowl	Spacer block	
NUFRL Filter+Regulator+Lubricator	02 1/4"	Blank	G	PE	Blank	Square	Blank	Semi-auto drain	Blank	Port size 1/8"	
	03 3/8"	N	NPT	Blank 5 μ m	G	Circle	H	Manual drain	A		Standard bowl
NUFR/L Filter Regulator+Lubricator	04 1/2"	R	Rc	C 40 μ m			D	Auto drain	AL		Anti-acid & alkali bowl
				Sintered brass						Aluminum bowl (1/4"~1/2")	
				S 5 μ m							
				T 40 μ m							

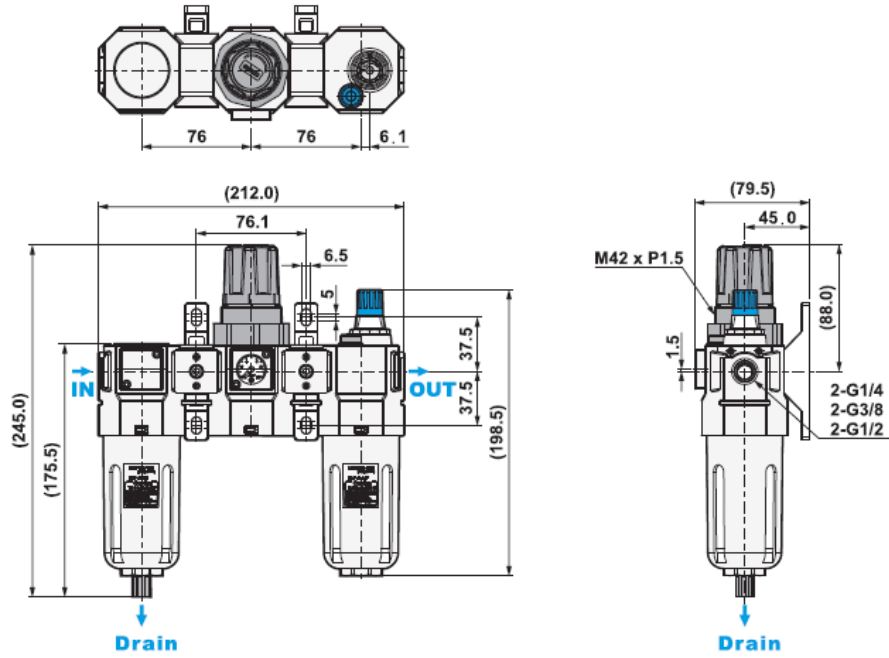
Specifications

Model	NUFRL-02	NUFRL-03	NUFRL-04	NUFR/L-02	NUFR/L-03	NUFR/L-04
Port size	1/4"	3/8"	1/2"	1/4"	3/8"	1/2"
Fluid	Compressed air					
Regulator construction	Piston					
Body material	Aluminum die-cast					
Bowl material	Polycarbonate (Standard), Anti-acid & alkali bowl (Option), Aluminum bowl (Option)					
Filtration	PE: 5 μ m (Standard), 40 μ m (Option), Sintered brass (Option): 5 μ m & 40 μ m					
Operating pressure range	0.5 ~ 9.9 kgf/cm ²					
Proof pressure (Standard bowl)	15 kgf/cm ²					
Max. flow rate l/min (ANR)	2080	2100	2600	2080	2100	2600
Ambient temperature	-10 $^{\circ}$ C ~ 60 $^{\circ}$ C					
Lubricator oil (Recommended)	ISO-VG32					
Filter bowl capacity	105cc					
Lubricator bowl capacity	125cc					
Standard drain	Semi-auto drain (Drains below 0.5kgf/cm ²)					
Net weight	2000g (W/I Aluminum bowl 2300g)			1380g (W/I Aluminum bowl 1680g)		
Option	Gauge plate					

Dimensions

FRL COMBINATIONS

NUFRL-02, 03, 04



NUFR/L-02,03,04

