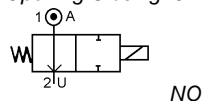


Media: air – water – light oil – vacuum (10⁻⁴ Torr)
 Pressure range: 0 to 10 Bar max
 Media temperature: +180°C max
 Ambient temperature: -10°C to +50°C max
 Media viscosity: 50 centistokes max
 Mounting: any position
 Opening Closing: 6-20 mSec Max



2/2 Stainless

1/8 – 1/2"

NORMALLY OPEN

2 WAY DIRECT ACTING

0 – 10 Bar

TYPE NOS612



PRESSURE

Ø Port BSP	Ø Orifice (mm)	Flow Kv Ltr/min	Pressure Rating (Bar) ΔP			Max Media Temp °C	Part Number
			Min	AC Max	DC Max		
1/8	3.0	3.7	0	10	7	NBR +100°C Max	NOS6A + seal + voltage
	4.0	8.3	0	6	4.2		NOS6B + seal + voltage
	5.0	9.2	0	4	2.8		NOS6C + seal + voltage
1/4	3.0	3.7	0	10	7	EPDM FKM Silicone +120°C Max	NOS8A + seal + voltage
	4.0	8.3	0	6	4.2		NOS8B + seal + voltage
	5.0	9.2	0	4	2.8		NOS8C + seal + voltage
3/8	4.0	8.3	0	6	4.2	*VST +150°C Max	NOS10A + seal + voltage
	6.0	11.3	0	2	1.4		NOS10B + seal + voltage
1/2	6.0	11.3	0	2	1.4	*PTFE +180°C Max	NOS12A + seal + voltage

OPTIONS

IP67 (EN60529:1991+A1:2000) UL & CSA Approved Coil & IP65 LED Connector PG11 – DIN 43650 A
 NPT Thread
 *PTFE seals 1/4 + 3/8
 *PTFE seals 1/2
 *VST, HNBR, ECO, Neoprene, Silicone or Hypalon Seals
 Silver shading ring (NOSXX + seal + voltage-SSR)

ELECTRICAL DATA

Voltage (-10% + 15%) Continuous duty 100%	Coil	Power Consumption		Insulation class	Enclosure	Electrical connections
		Inrush	Holding			
~ 24 - 110 - 230 (50/60 Hz)	WPG2	18.7VA	15.3VA	H 180°C	IP 65 with connector	3 spades DIN 43650 DIN 40050 VDE 0110
= 12 - 24 (DC)		18 Watts				

CONSTRUCTION

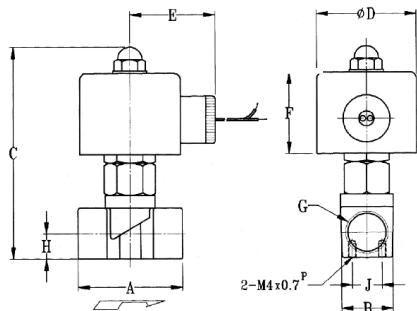
Body: Forged 316 stainless steel (CF8M)
 Tube 304 stainless steel, armature 430F stainless steel
 Shading ring: copper (Optional silver)
 Seals and gaskets: FKM (Optional EPDM, NBR, Silicone, VST, PTFE, Hypalon, HNBR, ECO, Neoprene)
 Moulded coil: Resin

REPAIR KIT

Coil WPG2 + voltage
 Armature Assembly SP + Valve Part Number -ARMATURE

OVERALL DIMENSIONS

Model	A	B	C	D / E	F*	G	H	J	Kg
NOS6/8	41	19	108	40	38	1/4	10.5	15	0.5
NOS10	50	25	110	40	38	3/8	11.7	15	0.8
NOS12	55	27	112	40	38	1/2	13	n/a	0.95



Item	Article	Material
1	Solenoid Tube	Stainless
2	Slide Core	Stainless
3	Coil	Brass Wire
4	Armature Core	Stainless
5	Operating Spindle	Stainless
6	Joint Sleeve	Stainless
7	Spring	Stainless
8	Seat	NBR, Silicone, EPDM, FKM
9	Valve Body	316 Stainless

