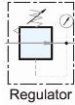


Media: air  
 Inlet Pressure: 8 Bar max  
 Operating Pressure range: 0 – 8 Bar  
 Media temperature: -10°C to +60°C  
 Ambient temperature: -10° to +60°C  
 Mounting: any  
 Weight: 2200g/2800g



# Pilot Regulator

## 1 1/2 - 2

### Aluminium

### Relieving or Non Relieving

### 0 – 8 Bar

## TYPE UAR/UR14-20



### PRESSURE

Ø Port BSP	Pressure (Bar) Air		Flow (L/Min)	Part Number
	Min	Max		
1 1/2	0	8	30000	UAR14
2	0	8	30000	UAR20
1 1/2	0	8	30000	UR14
2	0	8	30000	UR20

### OPTIONS

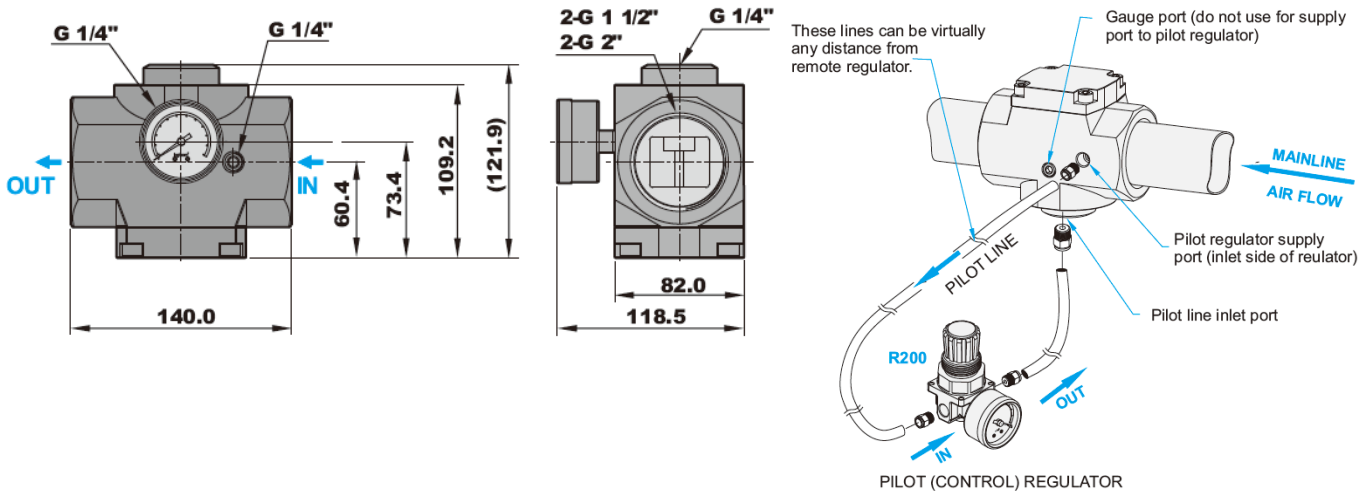
Pressure gauge and plug  
 Relieving as standard (option non relieving available upon request)  
 NPT Thread

### CONSTRUCTION

Body Aluminium alloy  
 Regulator Piston  
 10 Bar proof pressure tested

### OVERALL DIMENSIONS

**UAR14-20 Remote Pilot Regulator (2.2Kg)**



**UR14-20 Regulator (2.8Kg)**

